

En-EN 11.02.2002

Copyright © Richter Spielgeräte GmbH * 83112 Frasdorf * Germany

General hints:

A. Intended age range

This equipment is suitable for children from 2 to 8 years.

B. Surfacing requirements

This equipment does not reach the free height of fall limit of 600 mm above which a specific requirement for impact absorbing surfacing or materials is necessary.

C. Foundations

Please see detailed instructions at the end of this document.

Special information:

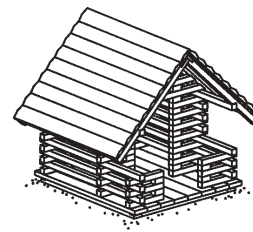
Tested by TÜV Product Service GmbH.

Please do not alter any parts of the equipment or the construction itself since this may affect the safety standards and your guarantee.

We reserve the right to make technical alterations!
For further information please call your local agent.

Small Playing House
Order no. 4.10100

Small Playing House with door
Order no. 4.10110



Data for shipment:

Number of parts: 1

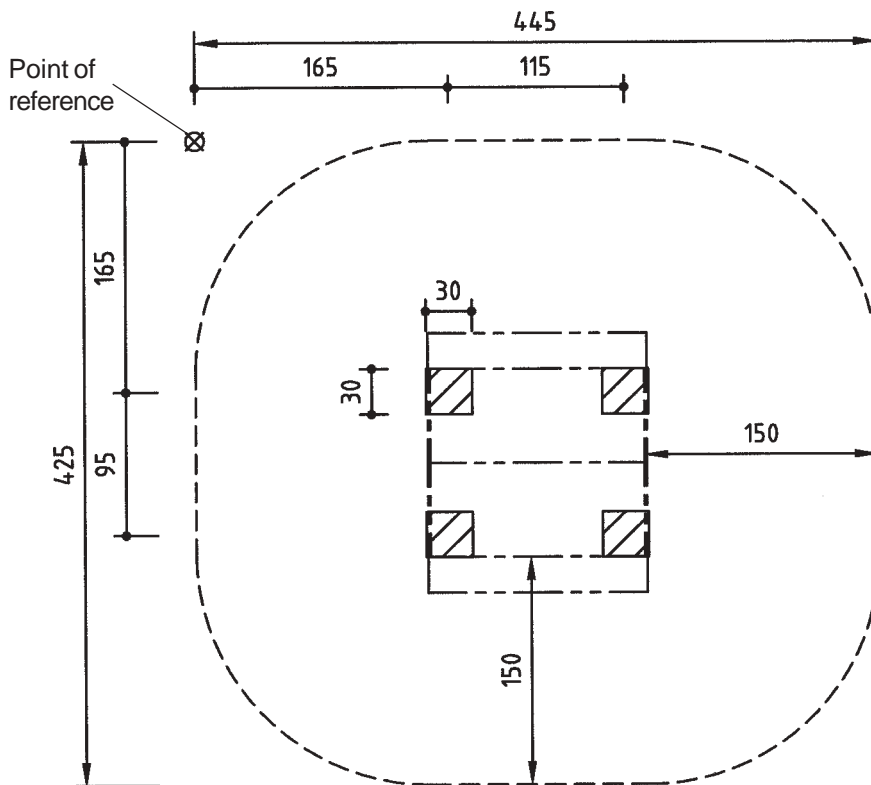
1 playing house complete with roof

Total weight: 250 kg
Largest single part: 250 kg

Required space including safety distances (EN 1176):
445 x 425 cm

Ground elevation
Scale 1:50
all dimensions in cm

Foundation blocks
4 pieces 30 x 30 x 30 cm
Excavation depth 40 cm




Recommended assembly aids:

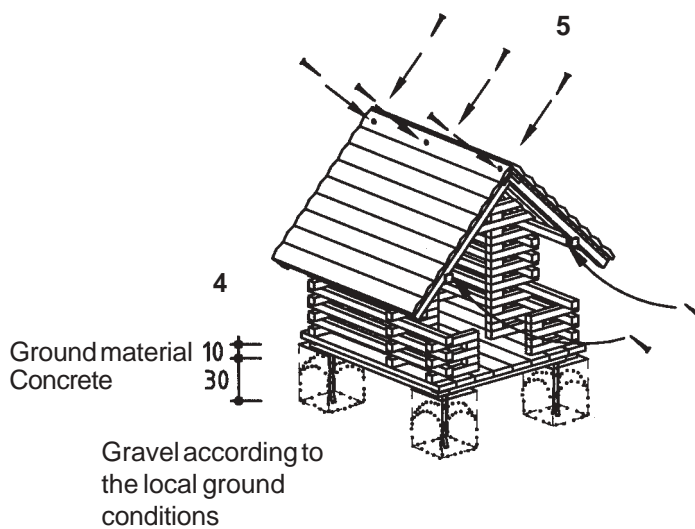
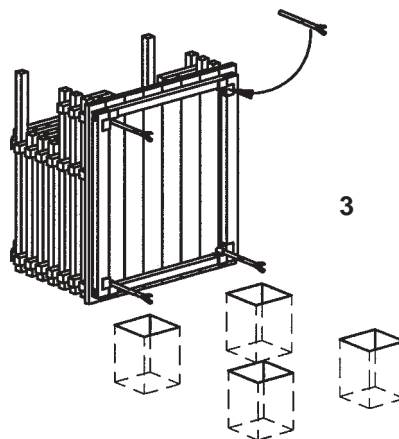
- Set of carpenter's tools
- Set of ratchets
- Torx insert T30

Attention!

During the assembly period (including the setting of the concrete) it is not allowed to play on or put any weight on the equipment in order to secure stability during use after the assembly. Standard concrete requires at least 2 weeks to set.

Sequence of assembly operations:

1. Locate the site and take into account the space required, including the safety distances, according to the ground elevation on page 1.
2. Start surveying at the point of reference  and dig out the foundation holes.
3. Position the house in front of the foundation holes and screw the foundation tubes into the bracings at the bottom of the house.
4. Fill the foundation holes with concrete B 25, 'earth damp' and tamp. Round the edges of the foundations and cover with ground material.
5. Place the roof panels onto the house and screw onto the top square timbers. Screw down the ridge of the roof.
6. Repair minor damages caused during assembly or transportation.
7. Please ensure that all assembly aids, e. g. excess bolts, assembly instructions, distance battens or tape are removed entirely from the play facility and the playground after work is finished.



Please note that after about 6 weeks all screws and bolts need to be checked and, if necessary, retightened.