

**General hints:**

**A. Surfacing requirements**

This equipment should be installed on an impact absorbing surfacing / loose fill material that accords with EN 1177 and is adequate for a maximum free height of fall of 0.70 m.

**B. Foundations**

Please see detailed instructions at the end of this document, especially depths of foundations for steel feet.

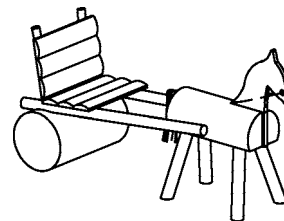
**Special information:**

Tested by TÜV Product Service GmbH.

Please do not alter any parts of the equipment or the construction itself since this may affect the safety standards and your guarantee.

We reserve the right to make technical alterations!  
For further information please call your local agent.

**Horsecart "Peter"  
Order no. 4.24140**



**Data for shipment:**

Number of parts: 2

- 1 horse with 2 foundation irons
- 1 cart with 1 foundation iron

Total weight: 110 kg  
Heaviest single part: 75 kg

En-EN 04.12.2006

Copyright © Richter Spielgeräte GmbH \* 83112 Frasdorf \* Germany

**Required space including safety distances (EN 1176):**

460 x 360 cm

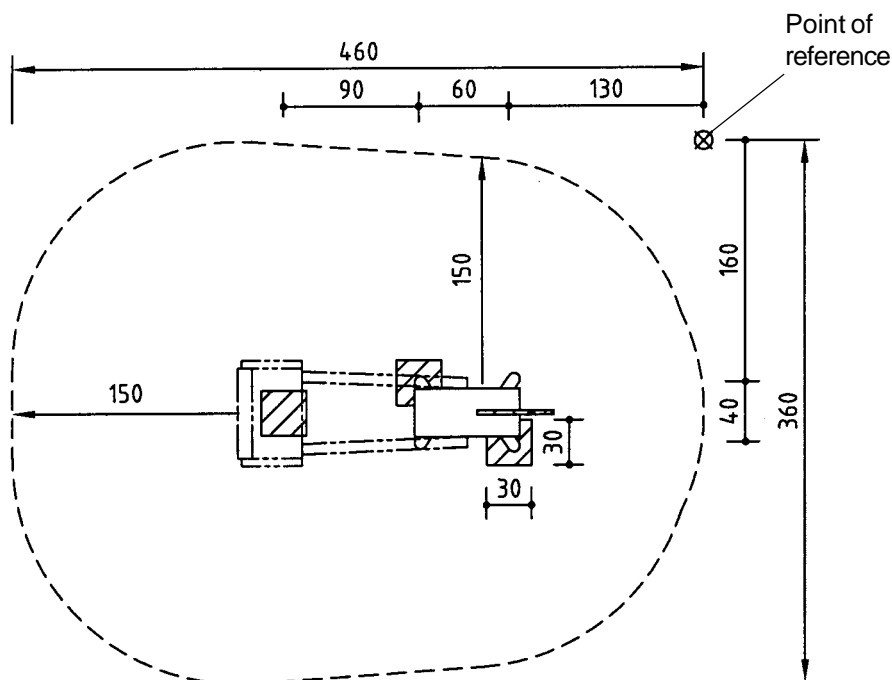
**Ground elevation**

Scale 1:50  
all dimensions in cm

**Foundation blocks**

Quality of concrete C 25/30

3 pieces 30 x 30 x 30 cm  
Excavation depth 50 cm




**Recommended assembly aids:**

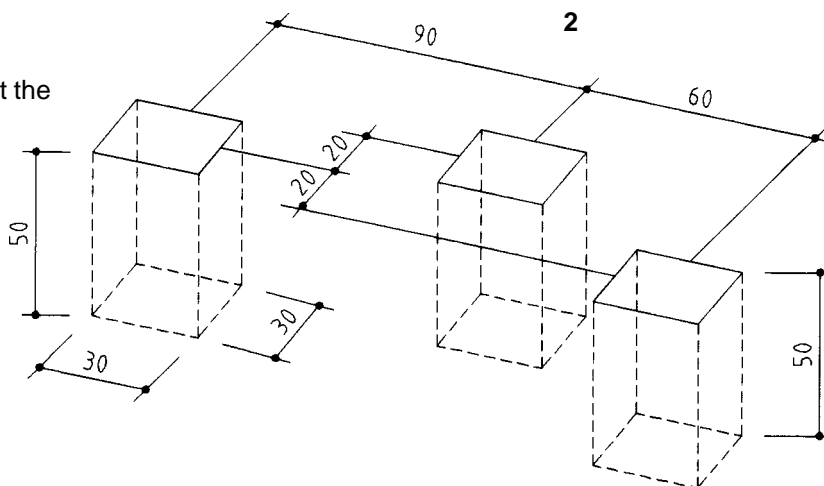
- Set of carpenter's tools
- Set of ratchets

**Attention!**

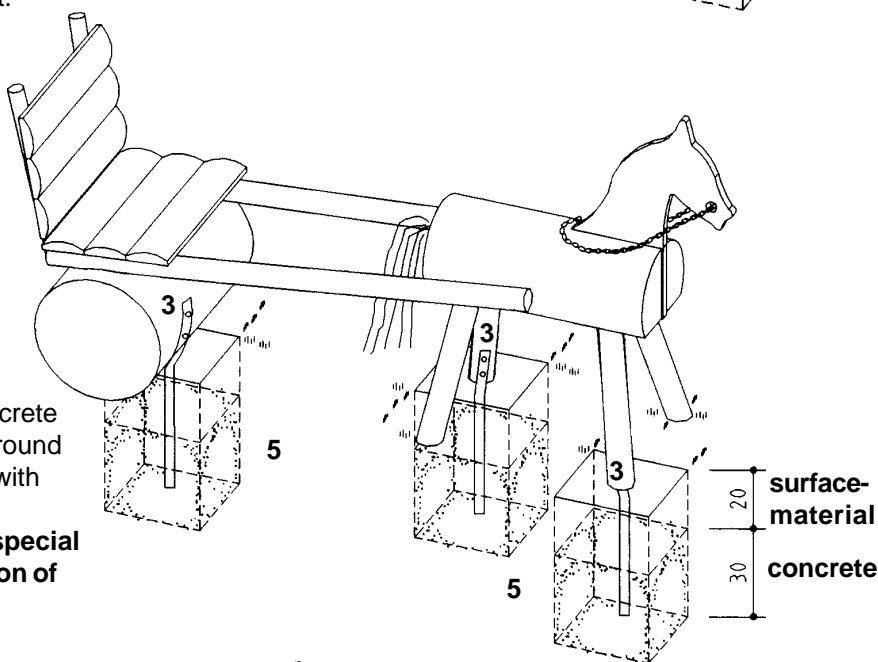
During the assembly period (including the setting of the concrete) it is not allowed to play on or put any weight on the equipment in order to secure stability during use after the assembly. Standard concrete requires at least 2 weeks to set.

**Sequence of assembly operations:**

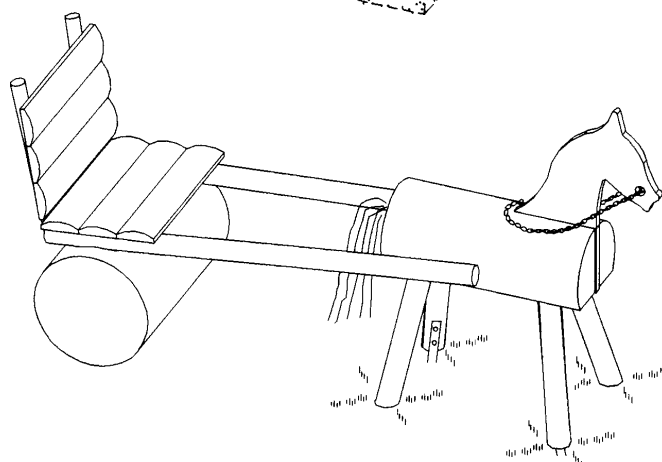
1. Locate the site and take into account the space required, including the safety distances, according to the ground elevation on page 1.
2. Start surveying at the point of reference  and dig out the foundation holes.
3. Screw the foundation irons onto the legs of the horse and the cart.
4. Place horse and cart into the foundation holes and align.



5. Fill the foundation holes with concrete (according to sketch), tamp and round the edges. Cover the foundation with surface material.  
**Please take into account the special sheet: Notes on the construction of foundations.**



6. Repair minor damages caused during assembly or transportation.
7. Please ensure that all assembly aids, e. g. excess bolts, assembly instructions, distance battens or tape are removed entirely from the play equipment and the playground after work is finished.



**Please note that after about 6 weeks all screws and bolts need to be checked and, if necessary, retightened.**