

**General hints:**

**A. Surfacing requirements**

This equipment should be installed on an impact absorbing surfacing / loose fill material that accords with EN 1177 and is adequate for a maximum free height of fall of 1.50 m.

**B. Foundations**

Please see detailed instructions at the end of this document, especially depths of foundations for steel feet.

**Special information:**

Tested by TÜV Product Service GmbH.

Please do not alter any parts of the equipment or the construction itself since this may affect the safety standards and your guarantee.

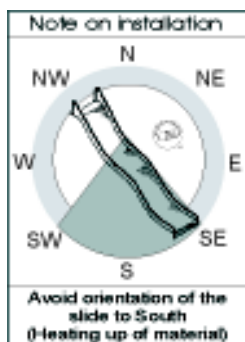
We reserve the right to make technical alterations!  
For further information please call your local agent.

**Foundation blocks**

Quality of concrete C 25/30

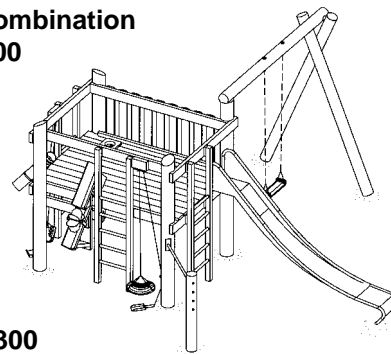
Platform	4 pieces 60 x 60 x 40 cm Excavation depth 70 cm, with steel feet 80 cm
Horizontal Bar	1 piece 60 x 60 x 50 cm Excavation depth 70 cm
Swing	2 pieces 60 x 70 x 60 cm Excavation depth 80 cm
Slide	1 piece 15 x 70 x 55 cm Excavation depth 55 cm

Please follow the assembly instructions of the order nos 3.63020, 6.13040



**Building Site Combination**

Order no. 5.03300



- with steel feet  
Order no. L5.03300

**Data for shipment:**

Number of parts: 18

- 1 front side, already attached  
1 ladder, 1 sand hoist
- 1 front side, already attached  
1 ladder
- 2 floor panels
- 1 bundle: 2 tie beams for floor, 1 tie beam for handrail with sand hoist, 1 short tie beam
- 1 floor beam
- 1 bundle: 1 ladder, 2 shovels with chain
- 1 balustrade
- 1 sand chute with sand wheel
- 1 sand pipe, curved
- 1 sand pipe, straight
- 1 pipe bend with laminated panels
- 1 bag of bolts
- 1 horizontal bar as attached element
- 1 bundle: Standposts for Swing
- 1 crossbeam for Swing
- 1 bundle: Swing seat with chains
- 1 stainless steel Slide, h = 1.50 m
- 1 ground anchor with bolts

Total weight: 900 kg  
Heaviest single part: 150 kg  
Largest single part: 3.25 x 2.00 x 0.25 m




**Sequence of assembly operations:**

**General note:**

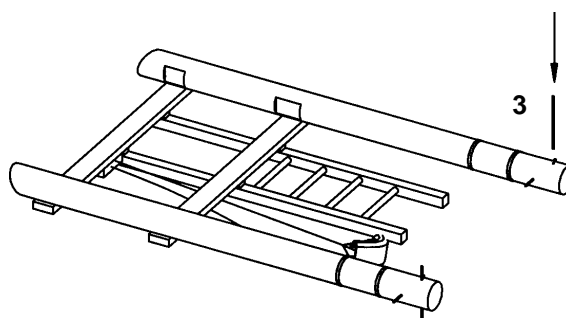
**This playground equipment has been assembled completely in our workshop. All components are marked at their joints. Adhere strictly to these marks during assembly!**

**The Building Site is a playground equipment for playing with sand. We recommend to assemble and erect the equipment prior to delivery of the sand.**

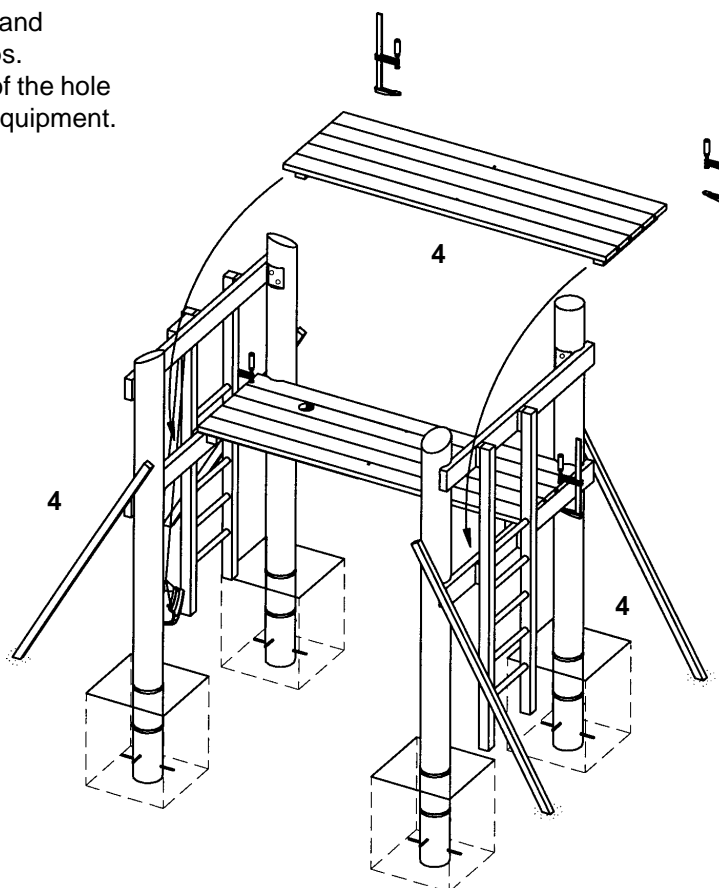
1. Locate the site and take into account the space required, including the safety distances, according to the ground elevation on page 1.

2. Start surveying at the point of reference  and dig out the foundation holes.

3. Place the pre-fabricated front sides next to the foundation holes and hammer the foundation irons into the stand posts.

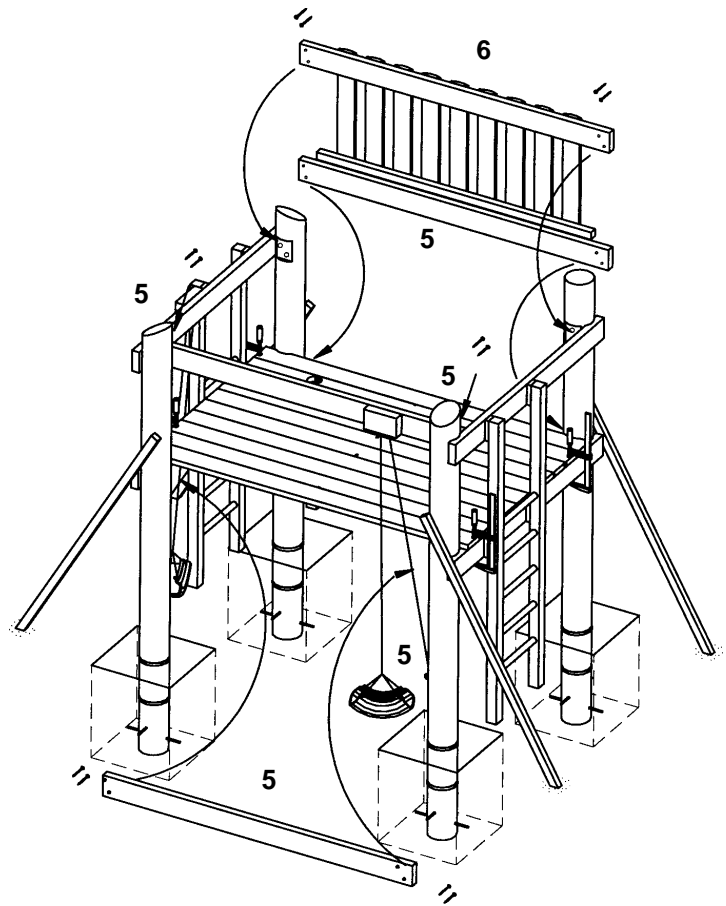


4. Erect the front sides and support in position using battens. Insert the floor panels and secure in position using screw clamps. Please pay attention to the location of the hole for the sand pipe. Roughly align the equipment.



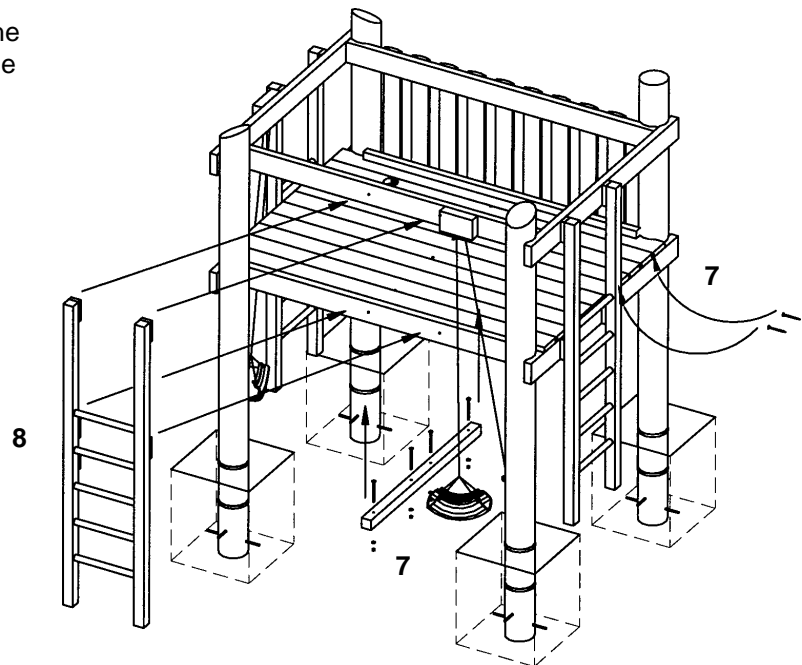
5. Screw the tie beams for floor and handrail (with the attached sand hoist) to the stand posts at the marked spots. Install the eyelet bolts for the sand hoists at the marked spots on the standposts.

6. Install the barrier at the side facing the Swing.

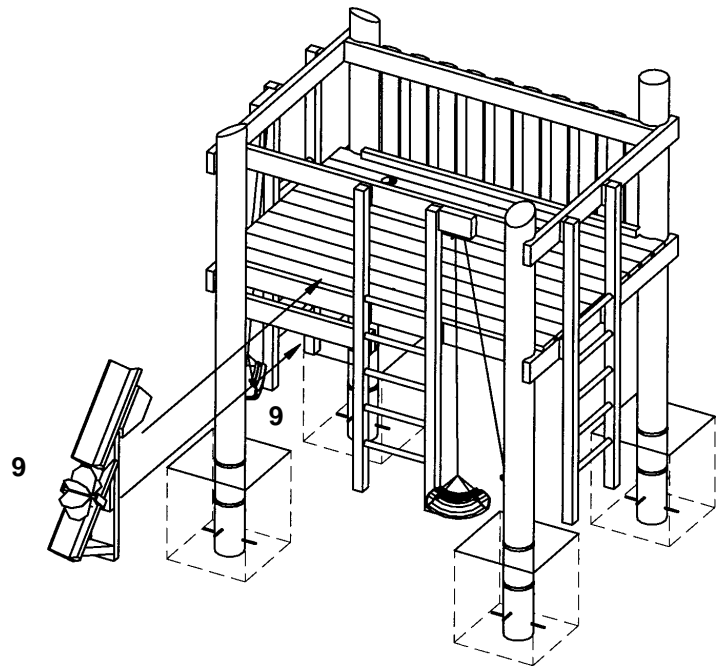


7. Attach the floor beam to the bottom of the floor panels. Screw the floor panels to the front sides. Remove the screw clamps.

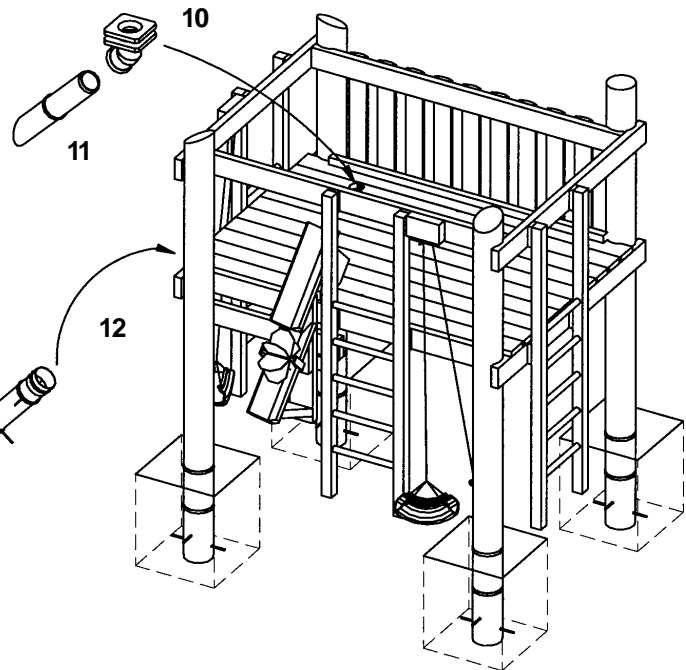
8. Install the ladders at the tie beams.



9. Screw the short tie beam (for the attachment of the sand chute) onto the tie beam and the stand post. Then screw the sand chute with sand wheel according to the mark onto the wall, and from below, onto the floor panel.



10. Unscrew the laminated panel of the curved pipe and screw, according to the marks, from above and below onto the hole in the floor panel.

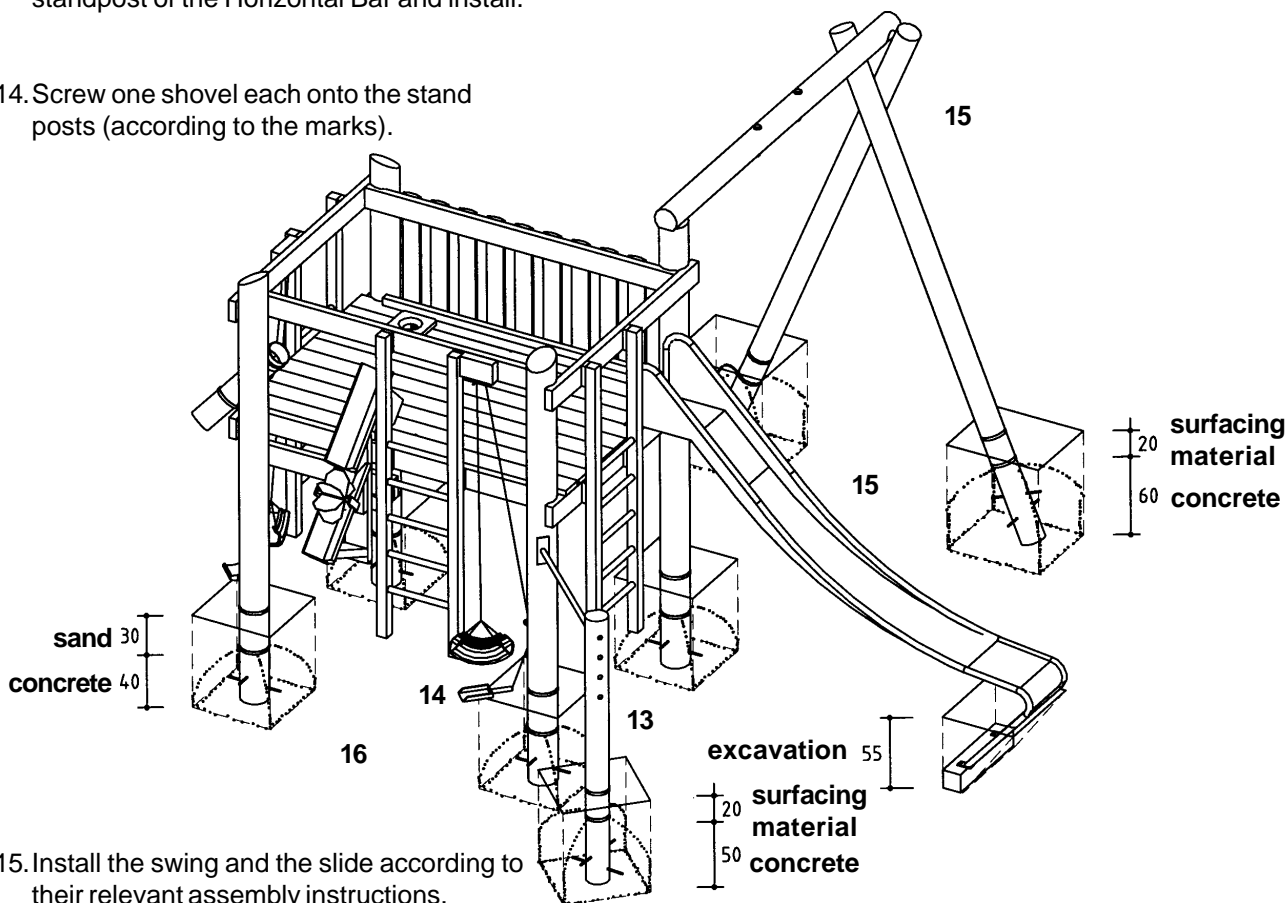


11. Insert the straight pipe into the curved pipe from below and connect the pipe clip to the plate on the standpost.

12. Attach the curved sand pipe with pipe clips to the plates of the stand post and the tie beam.

13. Hammer the foundation irons into the standpost of the Horizontal Bar and install.

14. Screw one shovel each onto the stand posts (according to the marks).



15. Install the swing and the slide according to their relevant assembly instructions.

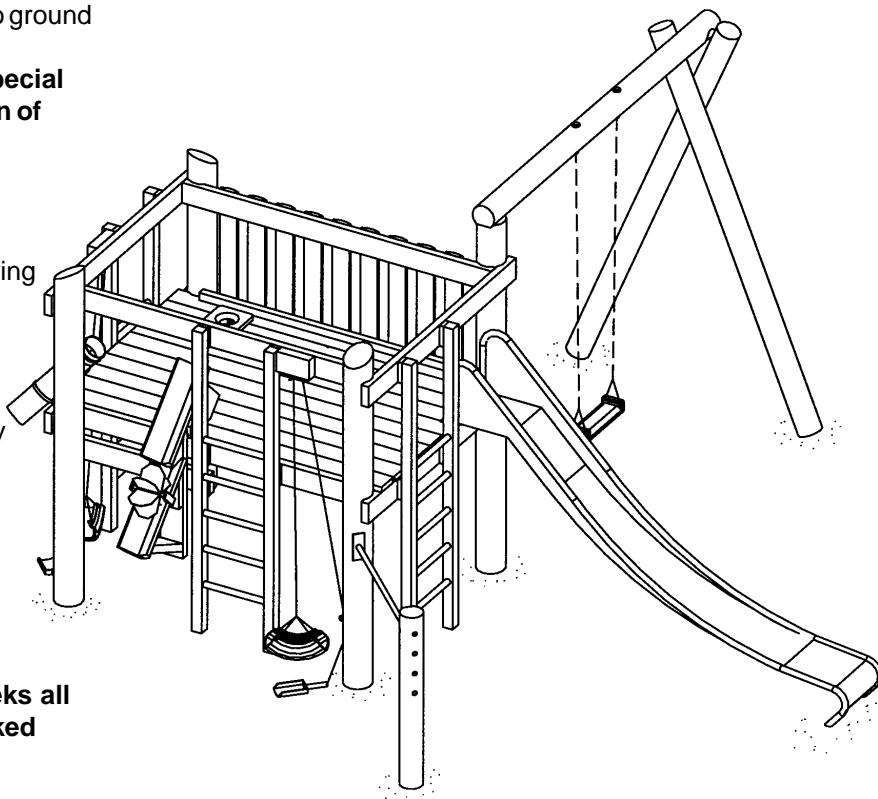
16. Exactly align the equipment (spirit level, diagonal distances). Fill the foundation holes with concrete, tamp and round the edges. Cover the foundations up to ground level with surface material.

**Please take into account the special sheet: Notes on the construction of foundations.**

Let the concrete set.

17. Repair minor damages caused during assembly or transportation.

18. Please ensure that all assembly aids, e. g. excess bolts, assembly instructions, distance battens or tape are removed entirely from the playground equipment and the playground after work is finished.



**Please note that after about 6 weeks all screws and bolts need to be checked and, if necessary, retightened.**