

General hints:

A. Surfacing requirements

This equipment should be installed on an impact absorbing surfacing / loose fill material that accords with EN 1177 and is adequate for a maximum free height of fall of 1.00 m.

B. Foundations

No concrete foundation is required.
The ground anchor is just buried in the ground.

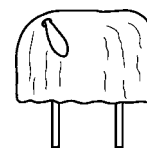
Special information:

Tested by TÜV Product Service GmbH.

Please do not alter any parts of the equipment or the construction itself since this may affect the safety standards and your guarantee.

We reserve the right to make technical alterations!
For further information please call your local agent.

**Wobbly sheep
Order no. 8.99000**



Data for shipment:

Number of parts: 1

1 wobbly sheep and 1 foundation frame made of steel

Total weight: 80 kg

Required space including safety distances (EN 1176):

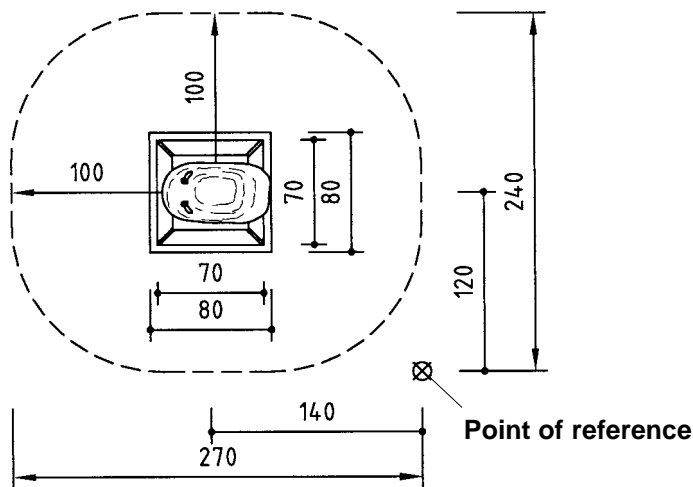
270 x 240 cm

Ground elevation


Scale 1:50

all dimensions in cm

Excavation depth 50 cm



Sequence of assembly operations:

1. Locate the site and take into account the space required, including the safety distances, according to the ground elevation on page 1.
2. Start surveying at the point of reference  and dig out the foundation holes.
3. Place the sheep with the foundation frame into the foundation hole. The depth of installation depends on the desired ready height of the sheep.
4. Refill the hole with excavated material and tamp.
5. Repair minor damages caused during assembly or transportation.
6. Please ensure that all assembly aids, e. g. excess bolts, assembly instructions, distance battens or tape are removed entirely from the play equipment and the playground after work is finished.

