

**General hints:**

**A. Surfacing requirements**

This element does not reach the free height of fall limit of 600 mm above which a specific requirement for impact absorbing surfacing or materials is necessary.

**B. Foundations**

No foundations required.

**Special information:**

Tested by TÜV Product Service GmbH.

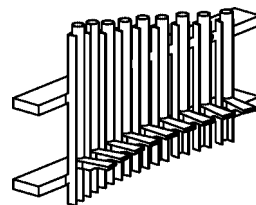
Please do not alter any parts of the equipment or the construction itself since this may affect the safety standards and your guarantee.

We reserve the right to make technical alterations!  
For further information please call your local agent.

**Sound Wall with 9 tunes**

**Order no. 9.06710**

as attached equipment



**Data for shipment:**

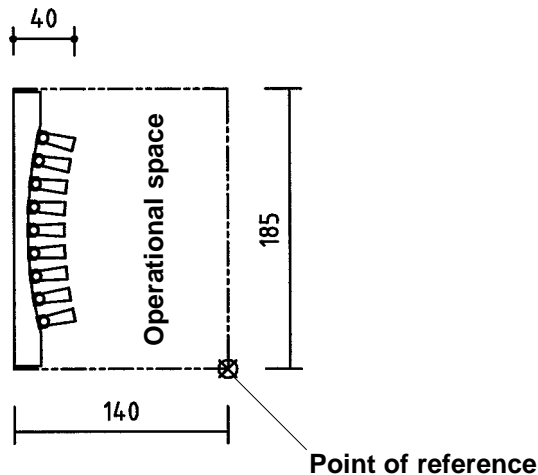
Number of parts: 1

1 complete equipment with 4 screws

Total weight: 180 kg

**Required space including operational space**  
180 x 140 cm


**Ground elevation**  
Scale 1:50  
all dimensions in cm



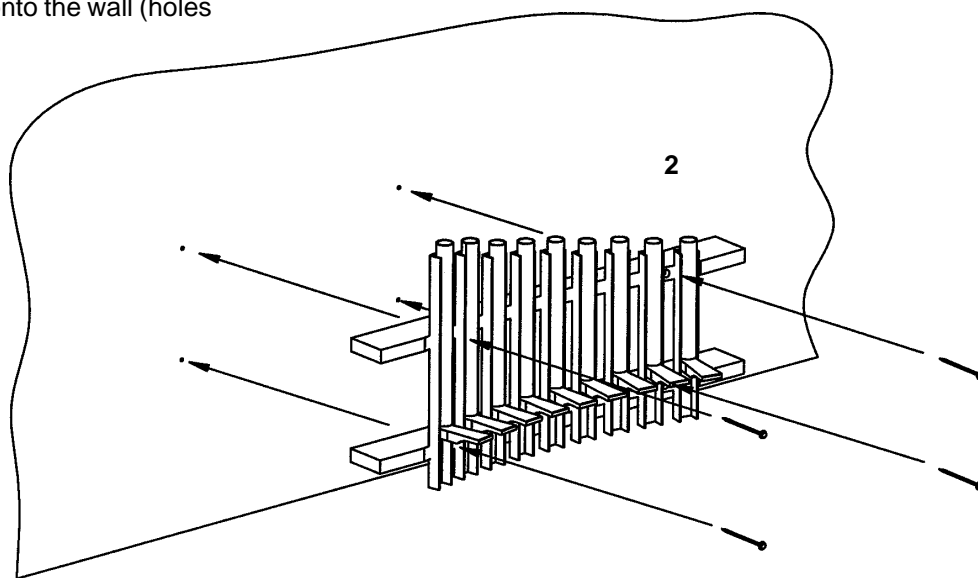
**Recommended assembly tools:**

- Set of carpenter's tools
- Set of ratchets
- Rubber mallet
- Set of spanners
- Wall plugs

**Sequence of assembly operations:**

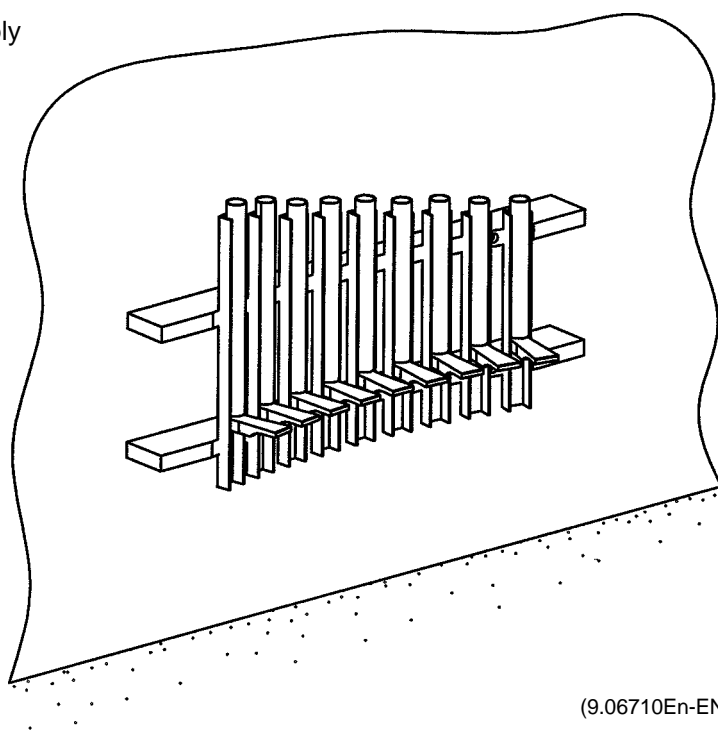
1. Locate the site and take into account the space required, including the safety distances, operational space and the final installed height according to the ground elevation on page 1. Start surveying at the point of reference 

2. Screw the Sound Wall onto the wall (holes are predrilled).



3. Repair minor damages caused during assembly or transportation.

4. Please ensure that all assembly aids, e. g. excess bolts, assembly instructions, distance battens or tape are removed entirely from the play equipment and the playground after work is finished.



**Please note that after about 6 weeks all screws and bolts need to be checked and, if necessary, retightened.**