

General hints:

A. Surfacing requirements

This element does not reach the free height of fall limit of 600 mm above which a specific requirement for impact absorbing surfacing or materials is necessary.

B. Foundations

Please see detailed instructions at the end of this document, especially depths of foundations for steel feet.

Special information:

Tested by TÜV Product Service GmbH.

Please do not alter any parts of the equipment or the construction itself since this may affect the safety standards and your guarantee.

We reserve the right to make technical alterations!
For further information please call your local agent.

Street Musicians
Order no. 9.10010



Data for shipment:

Number of parts: 1 pallet

1 street musician

1 anchoring tube

Total weight: 100 kg

Required space including safety distances (EN 1176):

Ø 160 cm

Ground elevation

Scale 1:50

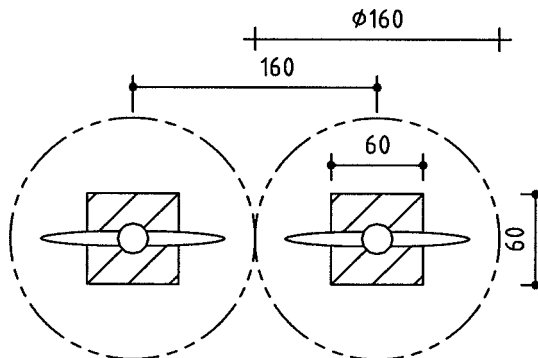
all dimensions in cm

Foundation block

Quality of concrete C 25/30

1 piece 60 x 60 x 60 cm

Excavation depth 80 cm



Recommended assembly tools:

- set of ratchets
- allen keys

Attention!

During the assembly period (including the setting of the concrete) it is not allowed to play on or put any weight on the equipment in order to secure stability during use after the assembly. Standard concrete requires at least 2 weeks to set.

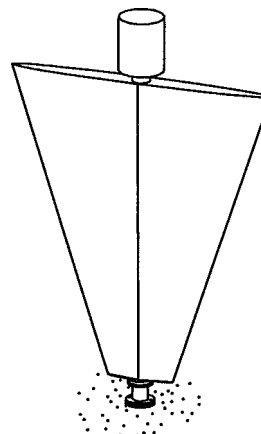
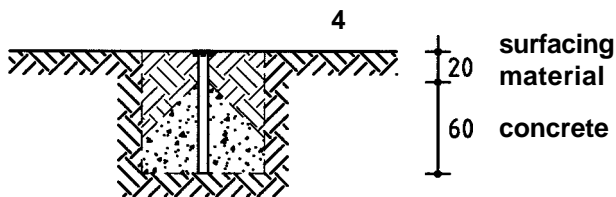
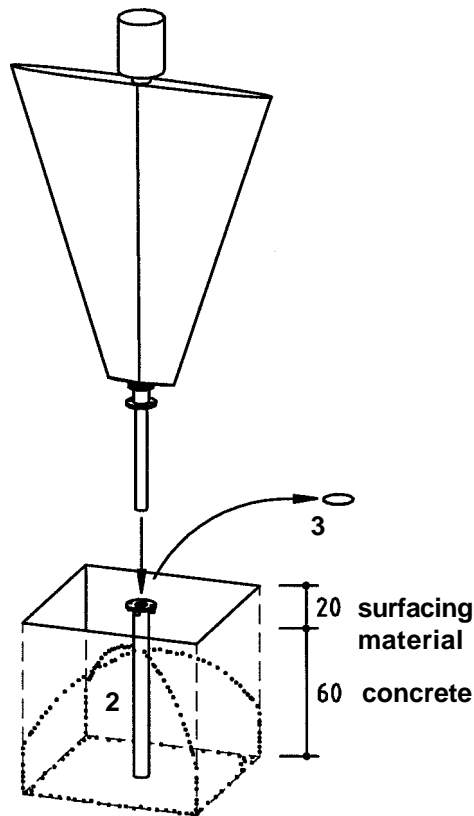
Sequence of assembly operations:

1. Locate the site and take into account the space required, including the safety distances, according to the ground elevation on page 1.

Important!

In case Street Musicians are arranged in a group next to each other observe a minimum distance of 1.60 m between the centres of their anchoring tubes.

2. Dig out the foundation hole. Fill the foundation holes with concrete (according to sketch), tamp and round the edges. Push the anchoring tube into the damp concrete below the level of the playing surface. **Adjust exactly vertically. Please pay attention to the additional sheet on the construction of foundations.**
3. After the concrete has set remove the cover and place the Street Musician onto the anchoring tube and screw on at the flange.
4. Cover the foundation with ground material level with the playing surface.
5. Repair minor damages caused during assembly or transportation.
6. Please ensure that all assembly aids, e. g. excess bolts, assembly instructions, distance battens or tape are removed entirely from the play equipment and the playground after work is finished.



Please note that after about 6 weeks all screws and bolts need to be checked and, if necessary, retightened.