

En-EN 31.07.2008

Design: W. Graubner Copyright © Richter Spielgeräte GmbH

Instructions for wear checks of play equipment

Playground:

Date of installation:

Checks depend on the kind of equipment. Any equipment with moving parts must be checked at least twice a year, static equipment at least once a year.

Intervals for maintenance work and checks generally depend on:

- location
- kind of use
- frequency of use
- possible vandalism

For more details see also "General instructions for maintenance of playgrounds"

Turning Stone

approx. 2 - 3 t

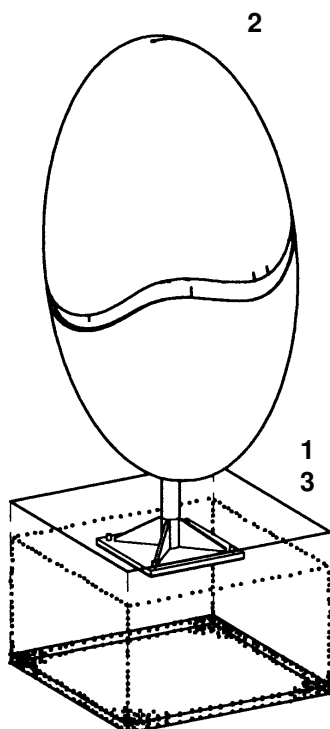
Order no. 10.91520

approx. 3 - 4 t

Order no. 10.91530

approx. 4 - 5 t

Order no. 10.91540



The equipment must be checked for correct operation and safety, especially the points listed below:

Proof of maintenance

Bearing

1 check for function and grease at lubricating nipples if necessary

<input type="checkbox"/>	<input type="checkbox"/>	<input type="checkbox"/>	etc.
--------------------------	--------------------------	--------------------------	------

Cleaning

2 Clean the stone with water and brush if necessary.

<input type="checkbox"/>	<input type="checkbox"/>	<input type="checkbox"/>	
--------------------------	--------------------------	--------------------------	--

Structural stability

3 Check the foundation twice a year for firmness and structural stability.

<input type="checkbox"/>	<input type="checkbox"/>	<input type="checkbox"/>	
--------------------------	--------------------------	--------------------------	--

Special notes (e. g. for repairs):

Special notes (e. g. for repairs):

Special notes (e. g. for repairs):

Repair not carried out, it is still possible to play on the equipment

<input type="checkbox"/>	<input type="checkbox"/>	<input type="checkbox"/>	
--------------------------	--------------------------	--------------------------	--

Repair not carried out, equipment is taken out of action

<input type="checkbox"/>	<input type="checkbox"/>	<input type="checkbox"/>	
--------------------------	--------------------------	--------------------------	--

All work carried out, everything is in order

<input type="checkbox"/>	<input type="checkbox"/>	<input type="checkbox"/>	
--------------------------	--------------------------	--------------------------	--

Maintenance carried out by

Date