

# Instructions for wear checks of play equipment

**Playground:** .....

**Date of installation:** .....

Checks depend on the kind of equipment. Any equipment with moving parts must be checked at least twice a year, static equipment at least once a year.

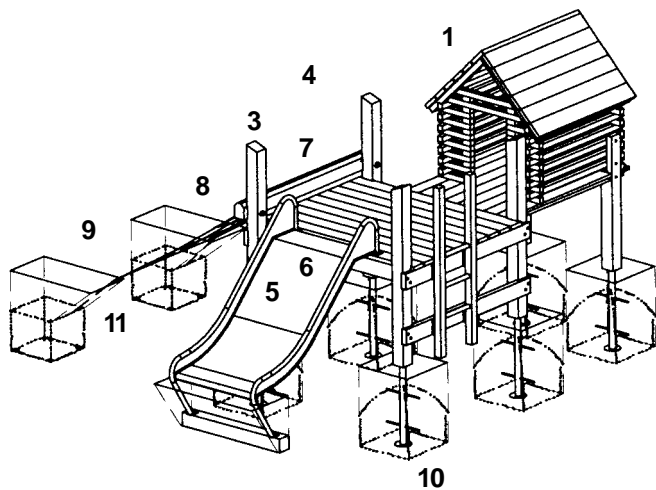
Intervals for maintenance work and checks generally depend on:

- location
- kind of use
- frequency of use
- possible vandalism

**For more details see also "General instructions for maintenance of playgrounds"**

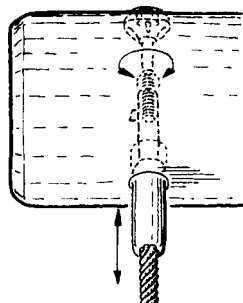
**Platform House 490**  
**Order no. 4.14900/L4.14900**  
**Order no. 4.14901/L4.14901**

**Platform House 4904**  
**Order no. 4.14904**



**Detail**

7



**The equipment must be checked for correct operation and safety, especially the points listed below:**

Proof of maintenance

1. 2. 3.

**Wooden parts**

1 Check for dry rot and smooth out splinters

2 Check the ashen rungs of the ascent for wear; remaining diameter must be at least 30 mm

3 **Recommendation:** Apply paraffin wax to end grain faces of the wood once a year

4 Check all the screw and bolt connections for firmness, tighten if necessary

**Slide**

5 Check the sliding surface for damage due to vandalism

6 Check all bolt connections for firmness, tighten if necessary

**Inclined Climbing Net**

7 Check all screw and bolt connections for firmness, tighten if necessary (see **detail**)

8 Check the Climbing Net for wear; if the steel core is exposed renew Climbing Net

9 Tighten the Climbing Net at the bottom ends if too loose

**Structural stability**

10 Dig out the foundations once a year and check for stability and corrosion

11 Net: Check the connection to the anchoring chain (tensioning hook)

Special notes (e. g. for repairs): .....

Special notes (e. g. for repairs): .....

Special notes (e. g. for repairs): .....

Repair not carried out, it is still possible to play on the equipment

Repair not carried out, equipment is taken out of action

All work carried out, everything is in order

Maintenance carried out by .....

Date .....