

Instructions for wear checks of play equipment

Playground:

Date of installation:

Checks depend on the kind of equipment. Any equipment with moving parts must be checked at least twice a year, static equipment at least once a year.

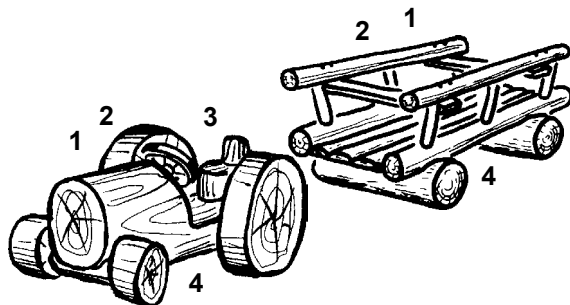
Intervals for maintenance work and checks generally depend on:

- location
- kind of use
- frequency of use
- possible vandalism

For more details see also "General instructions for maintenance of playgrounds"

4.24000 Tractor

4.24010 Trailer for Tractor



The equipment must be checked for correct operation and safety, especially the points listed below:

Proof of maintenance

Wooden parts

		1.	2.	3. etc.
1	Check for dry rot and smooth out splinters	<input type="checkbox"/>	<input type="checkbox"/>	<input type="checkbox"/>
2	Check all the screw and bolt connections for firmness, tighten if necessary	<input type="checkbox"/>	<input type="checkbox"/>	<input type="checkbox"/>
3	Recommendation: Apply paraffin wax to the end grain faces of the wood once a year	<input type="checkbox"/>	<input type="checkbox"/>	<input type="checkbox"/>

Structural stability

4	Check the anchoring of Tractor/Trailer to the ground	<input type="checkbox"/>	<input type="checkbox"/>	<input type="checkbox"/>
---	--	--------------------------	--------------------------	--------------------------

Special notes (e. g. for repairs):

Special notes (e. g. for repairs):

Special notes (e. g. for repairs):

Repair not carried out, it is still possible to play on the equipment	<input type="checkbox"/>	<input type="checkbox"/>	<input type="checkbox"/>
--	--------------------------	--------------------------	--------------------------

Repair not carried out, equipment is taken out of action	<input type="checkbox"/>	<input type="checkbox"/>	<input type="checkbox"/>
---	--------------------------	--------------------------	--------------------------

All work carried out, everything is in order	<input type="checkbox"/>	<input type="checkbox"/>	<input type="checkbox"/>
---	--------------------------	--------------------------	--------------------------

Maintenance carried out by

Date