

# Instructions for wear checks of play equipment

**Playground:** .....

**Date of installation:** .....

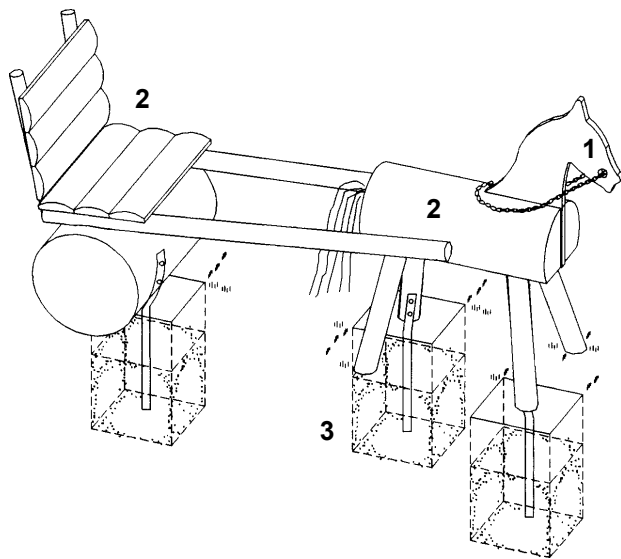
Checks depend on the kind of equipment. Any equipment with moving parts must be checked at least twice a year, static equipment at least once a year.

Intervals for maintenance work and checks generally depend on:

- location
- kind of use
- frequency of use
- possible vandalism

For more details see also "General instructions for maintenance of playgrounds"

**"Peter" Horse-cart**  
Order no. 4.24140



The equipment must be checked for correct operation and safety, especially the points listed below:

Proof of maintenance

**Rein**

1 Check the chain for wear, tighten the screws if necessary

<input type="checkbox"/>	<input type="checkbox"/>	<input type="checkbox"/>
--------------------------	--------------------------	--------------------------

**Wooden parts**

2 Check for dry rot and smooth out splinters

<input type="checkbox"/>	<input type="checkbox"/>	<input type="checkbox"/>
--------------------------	--------------------------	--------------------------

**Structural stability**

3 Check the anchoring of the Horse-cart to the ground

<input type="checkbox"/>	<input type="checkbox"/>	<input type="checkbox"/>
--------------------------	--------------------------	--------------------------

Special notes (e. g. for repairs): .....

Special notes (e. g. for repairs): .....

Special notes (e. g. for repairs): .....

Repair not carried out, it is still possible to play on the equipment

<input type="checkbox"/>	<input type="checkbox"/>	<input type="checkbox"/>
--------------------------	--------------------------	--------------------------

Repair not carried out, equipment is taken out of action

<input type="checkbox"/>	<input type="checkbox"/>	<input type="checkbox"/>
--------------------------	--------------------------	--------------------------

All work carried out, everything is in order

<input type="checkbox"/>	<input type="checkbox"/>	<input type="checkbox"/>
--------------------------	--------------------------	--------------------------

Maintenance carried out by .....

Date .....