

# Instructions for wear checks of play equipment

**Playground:** .....

**Date of installation:** .....

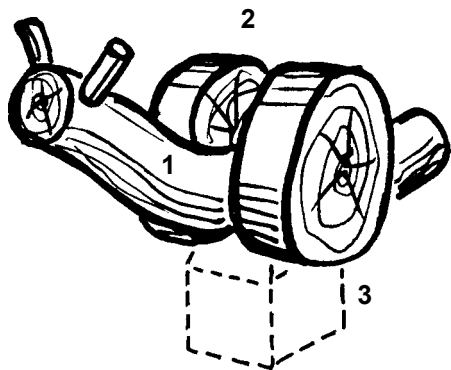
Checks depend on the kind of equipment. Any equipment with moving parts must be checked at least twice a year, static equipment at least once a year.

Intervals for maintenance work and checks generally depend on:

- location
- kind of use
- frequency of use
- possible vandalism

For more details see also "General instructions for maintenance of playgrounds"

**Snail**  
Order no. 4.24230



The equipment must be checked for correct operation and safety, especially the points listed below:

Proof of maintenance

## Wooden parts

1	Check for dry rot and smooth out splinters	<input type="checkbox"/>	<input type="checkbox"/>	<input type="checkbox"/>
---	--	--------------------------	--------------------------	--------------------------

2	<b>Recommendation:</b> Apply paraffin wax to end grain faces of the wood once a year	<input type="checkbox"/>	<input type="checkbox"/>	<input type="checkbox"/>
---	---	--------------------------	--------------------------	--------------------------

## Structural stability

3	Check the anchoring of the Snail to the ground	<input type="checkbox"/>	<input type="checkbox"/>	<input type="checkbox"/>
---	--	--------------------------	--------------------------	--------------------------

Special notes (e. g. for repairs): .....

Special notes (e. g. for repairs): .....

Special notes (e. g. for repairs): .....

Repair not carried out, it is still possible to play on the equipment	<input type="checkbox"/>	<input type="checkbox"/>	<input type="checkbox"/>
---	--------------------------	--------------------------	--------------------------

Repair not carried out, equipment is taken out of action	<input type="checkbox"/>	<input type="checkbox"/>	<input type="checkbox"/>
--	--------------------------	--------------------------	--------------------------

All work carried out, everything is in order	<input type="checkbox"/>	<input type="checkbox"/>	<input type="checkbox"/>
--	--------------------------	--------------------------	--------------------------

Maintenance carried out by .....

Date .....