

# Instructions for wear checks of play equipment

**Playground:** .....

**Date of assembly:** .....

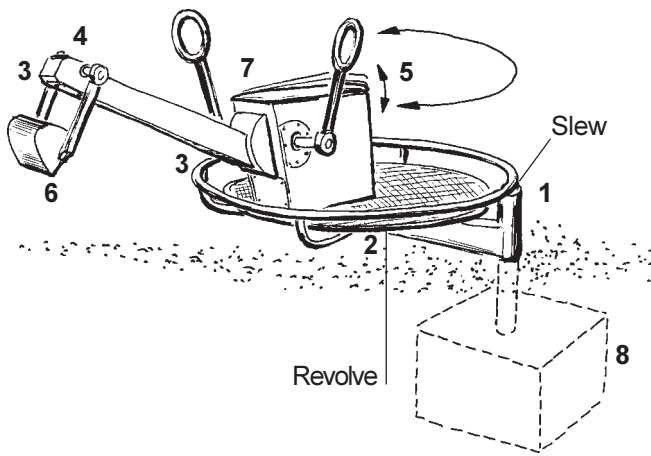
Checks depend on kind of equipment. Any equipment with moving parts must be checked at least twice a year, static equipment at least once a year.

Intervals for maintenance work and checks generally depend on:

- location
- kind of use
- frequency of use
- possible vandalism

**For more details see also "General instructions for maintenance of playgrounds"**

**Large Excavator  
Order no. 5.30000**



**The equipment must be checked for correct operation and safety, especially the points listed below:**

Proof of maintenance

1. 2. 3.

## Joints

<b>1</b>	Check the slewing joint for smooth motion (remove piled up sand around the support leg)	<input type="checkbox"/>	<input type="checkbox"/>	<input type="checkbox"/>
<b>2</b>	Check the revolving joint for smooth motion	<input type="checkbox"/>	<input type="checkbox"/>	<input type="checkbox"/>
<b>3</b>	Check the joints of the articulated arm and the shovel for smooth motion	<input type="checkbox"/>	<input type="checkbox"/>	<input type="checkbox"/>
<b>4</b>	Regrease the joint of the shovel (lubricating nipple)	<input type="checkbox"/>	<input type="checkbox"/>	<input type="checkbox"/>

## Brake

<b>5</b>	Check the brake for function: if there is a weight on the seat the Excavator can be revolved, if the seat is unloaded the revolving motion must stop immediately	<input type="checkbox"/>	<input type="checkbox"/>	<input type="checkbox"/>
----------	--	--------------------------	--------------------------	--------------------------

## Shovel

<b>6</b>	Check for any sharp edges on the shovel (caused by using the equipment) and blunt with a file	<input type="checkbox"/>	<input type="checkbox"/>	<input type="checkbox"/>
----------	---	--------------------------	--------------------------	--------------------------

## Seat

<b>7</b>	Check surface of the seat, smooth out if necessary	<input type="checkbox"/>	<input type="checkbox"/>	<input type="checkbox"/>
----------	--	--------------------------	--------------------------	--------------------------

## Structural stability

<b>8</b>	Dig out the foundations once a year and check for stability	<input type="checkbox"/>	<input type="checkbox"/>	<input type="checkbox"/>
----------	---	--------------------------	--------------------------	--------------------------

Special notes (e. g. for repairs):

<input type="checkbox"/>	Repair not carried out, it is still possible to play on the equipment	<input type="checkbox"/>	<input type="checkbox"/>	<input type="checkbox"/>
--------------------------	---	--------------------------	--------------------------	--------------------------

<input type="checkbox"/>	Repair not carried out, equipment is taken out of action	<input type="checkbox"/>	<input type="checkbox"/>	<input type="checkbox"/>
--------------------------	--	--------------------------	--------------------------	--------------------------

<input type="checkbox"/>	All work carried out, everthing is in order	<input type="checkbox"/>	<input type="checkbox"/>	<input type="checkbox"/>
--------------------------	---	--------------------------	--------------------------	--------------------------

**Maintenance carried out by** .....

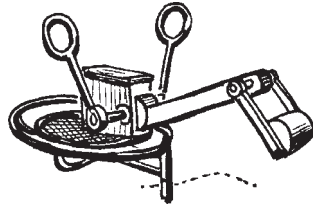
**Date** .....

**For spare parts please turn over!**

## Spare parts for:

Large Excavator

Order no. 5.30000



Please note that the safety level must not be compromised. This is why it is advisable to use **original spare parts** for repairs.

Order no.

Item

Order no.

Item

0.88180



Set of sintered bushes



99.00660

Seat



0.70250

Foundation frame

