

Instructions for wear checks of play equipment

Playground:

Date of installation:

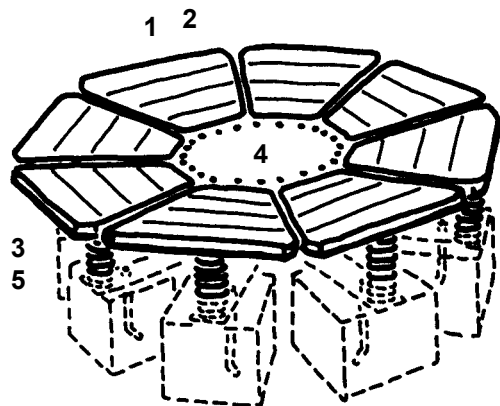
Checks depend on the kind of equipment. Any equipment with moving parts must be checked at least twice a year, static equipment at least once a year.

Intervals for maintenance work and checks generally depend on:

- location
- kind of use
- frequency of use
- possible vandalism

For more details see also "General instructions for maintenance of playgrounds"

Bouncing Flower
Order no. 6.06500



The equipment must be checked for correct operation and safety, especially the points listed below:

Proof of maintenance

Wooden parts

		1.	2.	3.
1	Check for dry rot and smooth out splinters	<input type="checkbox"/>	<input type="checkbox"/>	<input type="checkbox"/>
2	Check all screw connections for firmness and retighten if necessary	<input type="checkbox"/>	<input type="checkbox"/>	<input type="checkbox"/>

Fastenings of the springs

3	Check the fastenings for firmness, retighten any loose bolts	<input type="checkbox"/>	<input type="checkbox"/>	<input type="checkbox"/>
---	--	--------------------------	--------------------------	--------------------------

Bearings

4	Check for wear, if necessary renew the bearing bush	<input type="checkbox"/>	<input type="checkbox"/>	<input type="checkbox"/>
---	---	--------------------------	--------------------------	--------------------------

Structural stability

5	Dig out the foundations once a year and check for stability	<input type="checkbox"/>	<input type="checkbox"/>	<input type="checkbox"/>
---	---	--------------------------	--------------------------	--------------------------

Special notes (e. g. for repairs):

Special notes (e. g. for repairs):

Special notes (e. g. for repairs):

Repair not carried out, it is still possible to play on the equipment	<input type="checkbox"/>	<input type="checkbox"/>	<input type="checkbox"/>
---	--------------------------	--------------------------	--------------------------

Repair not carried out, equipment is taken out of action	<input type="checkbox"/>	<input type="checkbox"/>	<input type="checkbox"/>
--	--------------------------	--------------------------	--------------------------

All work carried out, everything is in order	<input type="checkbox"/>	<input type="checkbox"/>	<input type="checkbox"/>
--	--------------------------	--------------------------	--------------------------

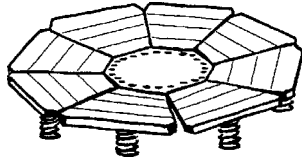
Maintenance carried out by

Date

For spare parts please turn over!

Spare parts for:

Bouncing Flower
Order no. 6.06500



Please note that the safety level must not be compromised. This is why it is advisable to use **original spare parts** for repairs.

Order no.

Item

Order no.

Item

0.92450

Compression spring

