

Instructions for wear checks of play equipment

Playground:

Date of installation:

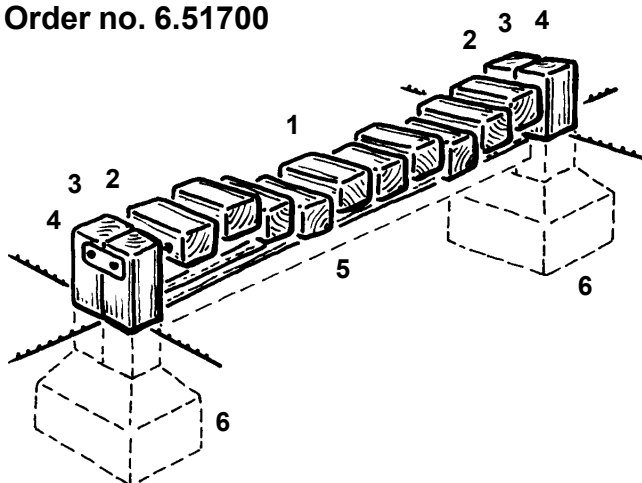
Checks depend on the kind of equipment. Any equipment with moving parts must be checked at least twice a year, static equipment at least once a year.

Intervals for maintenance work and checks generally depend on:

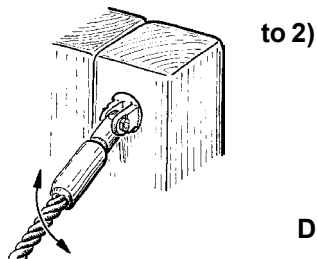
- location
- kind of use
- frequency of use
- possible vandalism

For more details see also "General instructions for maintenance of playgrounds"

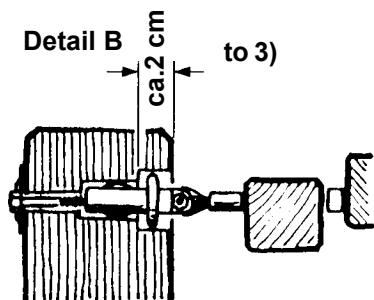
Balance Blocks
Order no. 6.51700



Detail A



to 2)



The equipment must be checked for correct operation and safety, especially the points listed below:

Proof of maintenance

1. 2. 3.

Wooden parts

1 Check for dry rot and smooth out splinters

2 **Recommendation:** Apply paraffin wax to the end grain faces of the wood once a year

Carrying cable

3 Check the joint of the carrying cable for wear (sintered bush) and smooth motion **see detail A**

4 Check the connection to the wood, tighten if necessary **see detail B** (there is range for tensioning of approx 2 cm)

5 Check the cable for wear

Structural stability

6 Dig out the foundations once a year and check for stability

Special notes (e. g. for repairs):

Special notes (e. g. for repairs):

Special notes (e. g. for repairs):

Repair not carried out, it is still possible to play on the equipment

Repair not carried out, equipment is taken out of action

All work carried out, everything is in order

Maintenance carried out by

Date