

Instructions for wear checks of play equipment

Playground:

Date of installation:

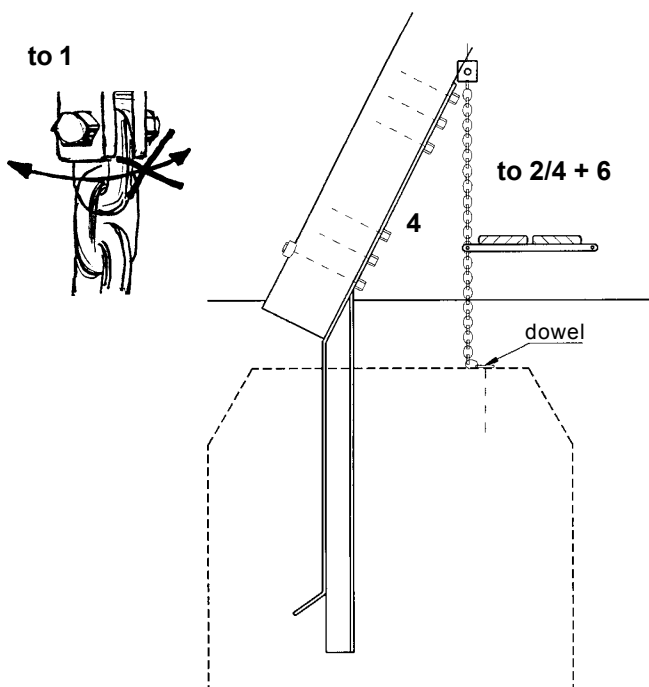
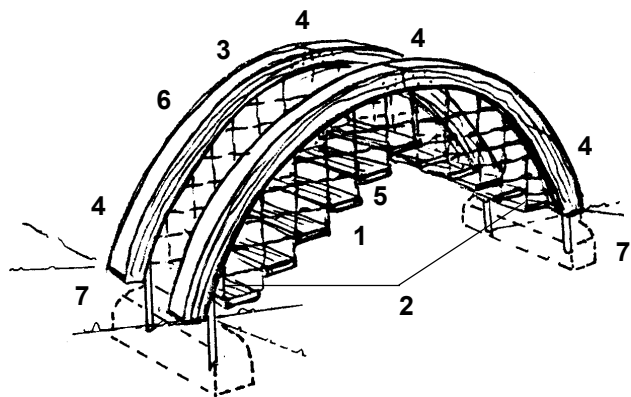
Checks depend on the kind of equipment. Any equipment with moving parts must be checked at least twice a year, static equipment at least once a year.

Intervals for maintenance work and checks generally depend on:

- location
- kind of use
- frequency of use
- possible vandalism

For more details see also "General instructions for maintenance of playgrounds"

Bow Bridge Order no. 6.52500



The equipment must be checked for correct operation and safety, especially the points listed below:

Proof of maintenance

1. 2. 3.

Chain suspension

1 Check all connections to the chains for wear, each of the first chain links must be securely clamped such that they cannot move **see detail**

2 The chains at the bottom must be taut and firmly attached **see detail**

Wooden parts

3 Check for dry rot, smooth out splinters

4 Check all screw and bolt connections for firmness, tighten if necessary

5 Check the timber of the steps for wear (at least 2/3 of the original thickness should remain)

6 **Recommendation:** Apply paraffin wax to the end grain faces of the wood once a year

Structural stability

7 Check the structural stability once a year. Check each of the last chains if firmly attached (must be taut)

Special notes (e. g. for repairs):

Special notes (e. g. for repairs):

Special notes (e. g. for repairs):

Repair not carried out, it is still possible to play on the equipment

Repair not carried out, equipment is taken out of action

All work carried out, everything is in order

Maintenance carried out by

Date