

Instructions for wear checks of play equipment

Playground:

Date of installation:

Checks depend on the kind of equipment. Any equipment with moving parts must be checked at least twice a year, static equipment at least once a year.

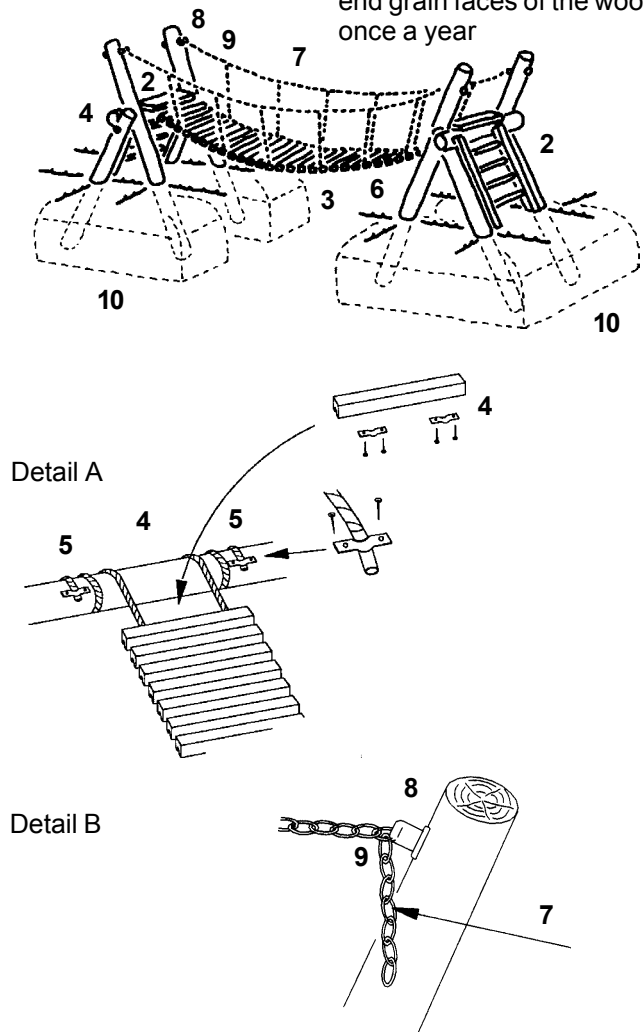
Intervals for maintenance work and checks generally depend on:

- location
- kind of use
- frequency of use
- possible vandalism

For more details see also "General instructions for maintenance of playgrounds"

Big Suspension Bridge Order no. 6.61000

Recommendation:
Apply paraffin wax to the end grain faces of the wood once a year



The equipment must be checked for correct operation and safety, especially the points listed below:		Proof of maintenance		
		1.	2.	3.
Wooden parts				etc.
1	Check for dry rot and smooth out splinters	<input type="checkbox"/>	<input type="checkbox"/>	<input type="checkbox"/>
2	Check the ash rungs of the ladder for wear; remaining diameter must be at least 30 mm	<input type="checkbox"/>	<input type="checkbox"/>	<input type="checkbox"/>
Running surface / slack				
3	Check the connections of the walking boards	<input type="checkbox"/>	<input type="checkbox"/>	<input type="checkbox"/>
4	Check the slack of the walking surface (the slack must be 60 - 70 cm); if the carrying rope has stretched lift off the walking surface, tighten the rope and screw on the clips in front of the rope clamps onto the cross beam (detail A), it may be necessary to remove/add walking boards from/to the walking surface after such adjustments	<input type="checkbox"/>	<input type="checkbox"/>	<input type="checkbox"/>
5	Check the fastenings of the carrying ropes (clips) for firmness (detail A)	<input type="checkbox"/>	<input type="checkbox"/>	<input type="checkbox"/>
6	Check the carrying rope for wear	<input type="checkbox"/>	<input type="checkbox"/>	<input type="checkbox"/>
Handrail				
7	If the slack of the walking surface is adjusted correctly the chains of the handrail must not carry any load and not too slack, i. e. to be pushed to the outside too far. Tighten or loosen the handrail chain in the handrail forks accordingly (Do not cut of excessive chain links (Detail B))	<input type="checkbox"/>	<input type="checkbox"/>	<input type="checkbox"/>
8	Check the handrail fork for firm connection to the wood	<input type="checkbox"/>	<input type="checkbox"/>	<input type="checkbox"/>
9	Check the handrail chain and the fastening, the first chain link must be securely clamped; check the wear to the adjacent moving chain link	<input type="checkbox"/>	<input type="checkbox"/>	<input type="checkbox"/>
Structural stability				
10	Dig out the foundation once a year and check for stability	<input type="checkbox"/>	<input type="checkbox"/>	<input type="checkbox"/>
Repair not carried out, it is still possible to play on the equipment		<input type="checkbox"/>	<input type="checkbox"/>	<input type="checkbox"/>
Repair not carried out, equipment is taken out of action		<input type="checkbox"/>	<input type="checkbox"/>	<input type="checkbox"/>
All work carried out, everything is in order		<input type="checkbox"/>	<input type="checkbox"/>	<input type="checkbox"/>
Maintenance carried out by				
Date				

For spare parts please turn over!

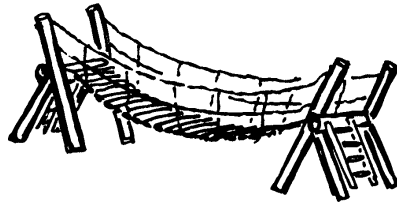
Special notes (e. g. for repairs):

Special notes (e. g. for repairs):

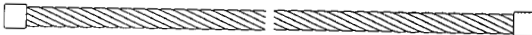
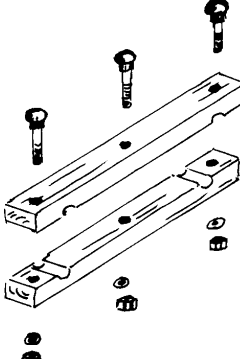
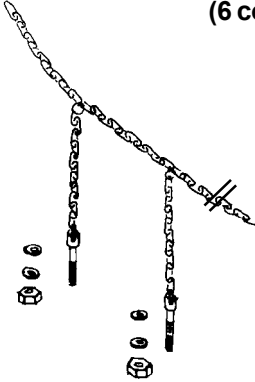
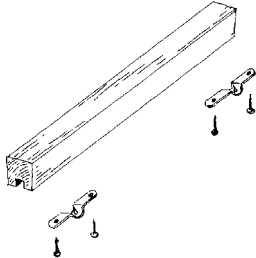
Special notes (e. g. for repairs):

Spare parts for:

Big Suspension Bridge
Order no. 6.61000



Please note that the safety level must not be compromised. This is why it is advisable to use **original spare parts** for repairs.

Order no.	Item	Order no.	Item
0.85110	Carrying cable made of Herkuflex, for Suspension Bridge 7 m	0.92370	Walking board, sectioned, for Suspension Bridge with wire ropes
			
0.88220	Handrail chain for Suspension Bridge 7 m (6 couplings)	0.92380	Walking board, unsectioned, for Suspension Bridge with Herkuflex ropes
			
0.92320	Handrail fork Length of the screw socket 100 mm	0.20025	Clip with pin
	