

Instructions for wear checks of play equipment

Playground:

Date of installation:

Checks depend on the kind of equipment. Any equipment with moving parts must be checked at least twice a year, static equipment at least once a year.

Intervals for maintenance work and checks generally depend on:

- location
- kind of use
- frequency of use
- possible vandalism

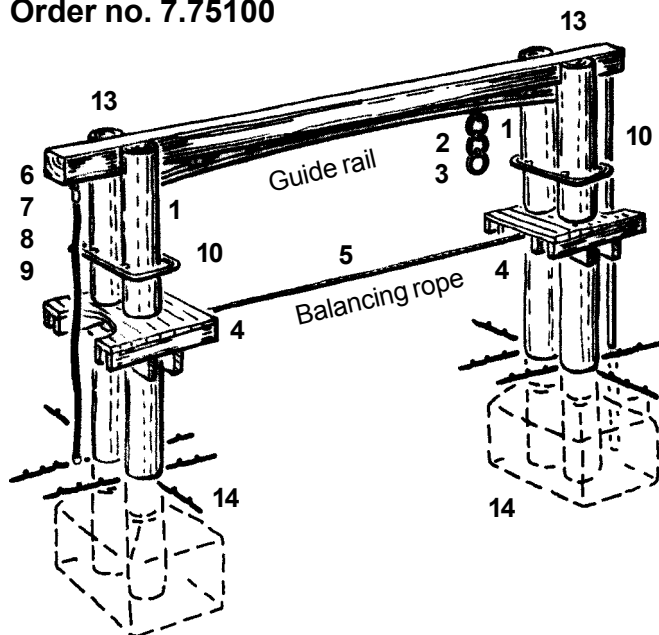
For more details see also "General instructions for maintenance of playgrounds"

High Balancing Rope

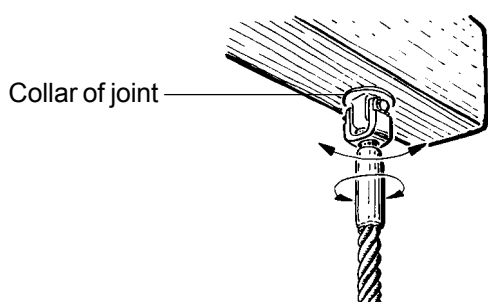
Order no. 7.75000

with coconut rope

Order no. 7.75100



to 9)
Detail



The equipment must be checked for correct operation and safety, especially the points listed below:

Proof of maintenance

1. 2. 3.

Guide rail

1	Check for firmness	<input type="checkbox"/>	<input type="checkbox"/>	<input type="checkbox"/>
2	Check the travelling crab for smooth motion	<input type="checkbox"/>	<input type="checkbox"/>	<input type="checkbox"/>
3	Check the grip rings for firmness and wear, if necessary renew	<input type="checkbox"/>	<input type="checkbox"/>	<input type="checkbox"/>

Balancing rope

4	Check for firmness and tighten if necessary	<input type="checkbox"/>	<input type="checkbox"/>	<input type="checkbox"/>
5	Check the rope for wear and/or damage, renew if necessary	<input type="checkbox"/>	<input type="checkbox"/>	<input type="checkbox"/>

Climbing rope

6	Check all the ropes for wear, if wire strands are exposed renew the ropes	<input type="checkbox"/>	<input type="checkbox"/>	<input type="checkbox"/>
7	Check the joints for smooth motion	<input type="checkbox"/>	<input type="checkbox"/>	<input type="checkbox"/>
8	Check the swivel for smooth motion, grease lightly if necessary	<input type="checkbox"/>	<input type="checkbox"/>	<input type="checkbox"/>
9	Check the connection to wood, collar of joint must be flush (see detail)	<input type="checkbox"/>	<input type="checkbox"/>	<input type="checkbox"/>

Fireman's Pole/Grip rings

10	Check for firmness, tighten if necessary	<input type="checkbox"/>	<input type="checkbox"/>	<input type="checkbox"/>
----	--	--------------------------	--------------------------	--------------------------

Wooden parts

11	Check for dry rot and smooth out splinters	<input type="checkbox"/>	<input type="checkbox"/>	<input type="checkbox"/>
12	Check screw/bolt connections for firmness, tighten if necessary	<input type="checkbox"/>	<input type="checkbox"/>	<input type="checkbox"/>
13	Recommendation: Apply paraffin wax to end grain faces of the wood once a year	<input type="checkbox"/>	<input type="checkbox"/>	<input type="checkbox"/>

Structural stability

14	Dig out foundations once a year and check them for stability	<input type="checkbox"/>	<input type="checkbox"/>	<input type="checkbox"/>
----	--	--------------------------	--------------------------	--------------------------

Special notes (e. g. for repairs):

<input type="checkbox"/>	Repair not carried out, it is still possible to play on the equipment	<input type="checkbox"/>	<input type="checkbox"/>	<input type="checkbox"/>
--------------------------	---	--------------------------	--------------------------	--------------------------

<input type="checkbox"/>	Repair not carried out, equipment is taken out of action	<input type="checkbox"/>	<input type="checkbox"/>	<input type="checkbox"/>
--------------------------	--	--------------------------	--------------------------	--------------------------

<input type="checkbox"/>	All work carried out, everything is in order	<input type="checkbox"/>	<input type="checkbox"/>	<input type="checkbox"/>
--------------------------	--	--------------------------	--------------------------	--------------------------

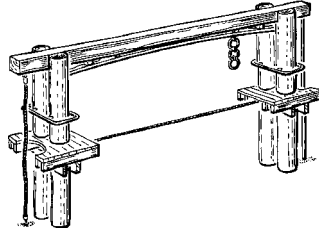
Maintenance carried out by

Date

For spare parts please turn over!

Spare parts for:

High Balancing Rope
Order no. 7.75000
with coconut rope
Order no. 7.75100



Please note that the safety level must not be compromised. This is why it is advisable to use **original spare parts** for repairs.

Order no.

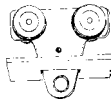
Item

Order no.

Item

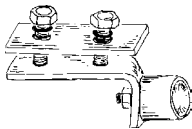
0.94810

Travelling crab



0.97220

Stopper



0.94800

Grip rings

