

Instructions for wear checks of play equipment

Playground:

Date of assembly:

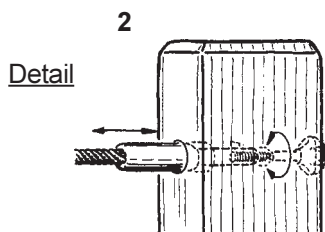
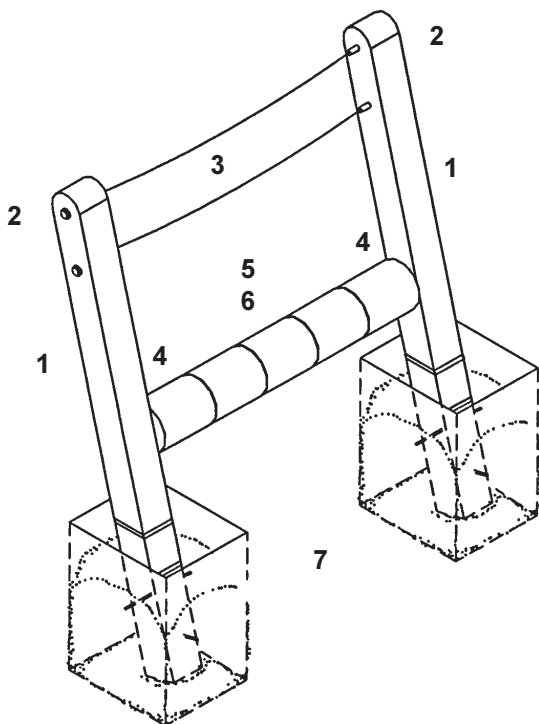
Checks depend on kind of equipment. Any equipment with moving parts must be checked at least twice a year, static equipment at least once a year.

Intervals for maintenance work and checks generally depend on:

- location
- kind of use
- frequency of use
- possible vandalism

For more details see also "General instructions for maintenance of playgrounds"

Sound Roller Order no. 9.02430



The equipment must be checked for correct operation and safety, especially the points listed below:

Proof of maintenance

Wooden parts

		1.	2.	3.
1	Check for dry rot and smooth out splinters	<input type="checkbox"/>	<input type="checkbox"/>	<input type="checkbox"/>
2	Check all screw connections for firmness, tighten if necessary (see detail)	<input type="checkbox"/>	<input type="checkbox"/>	<input type="checkbox"/>
Ropes				
3	Check the ropes for wear, if the steel core is damaged re-new immediately	<input type="checkbox"/>	<input type="checkbox"/>	<input type="checkbox"/>
Sound Roller				
4	Check the axle for firmness	<input type="checkbox"/>	<input type="checkbox"/>	<input type="checkbox"/>
5	Check the separate rollers for smooth motion, the revolving motion causes the sound. Attention: Do not grease or oil the rollers (danger of sticking)	<input type="checkbox"/>	<input type="checkbox"/>	<input type="checkbox"/>
6	If there is no sound generated, the brass sound elements on the inside must be checked, and, if necessary, cleaned. Remove the complete axle with the rollers from the stand posts at the flanges. Attention! The axle is very heavy, we recommend to underpin the axle prior to disassembly. Push the separate rollers from the axle and clean inside, the clapper must move smoothly	<input type="checkbox"/>	<input type="checkbox"/>	<input type="checkbox"/>
Structural stability				
7	Dig out the foundations once a year and check for stability	<input type="checkbox"/>	<input type="checkbox"/>	<input type="checkbox"/>
		Special notes (e. g. for repairs):	Special notes (e. g. for repairs):	Special notes (e. g. for repairs):
Repair not carried out, it is still possible to play on the equipment		<input type="checkbox"/>	<input type="checkbox"/>	<input type="checkbox"/>
Repair not carried out, equipment is taken out of action		<input type="checkbox"/>	<input type="checkbox"/>	<input type="checkbox"/>
All work carried out, everthing is in order		<input type="checkbox"/>	<input type="checkbox"/>	<input type="checkbox"/>
Maintenance carried out by	
Date	