

# Instructions for wear checks of play equipment

**Playground:** .....

**Date of assembly:** .....

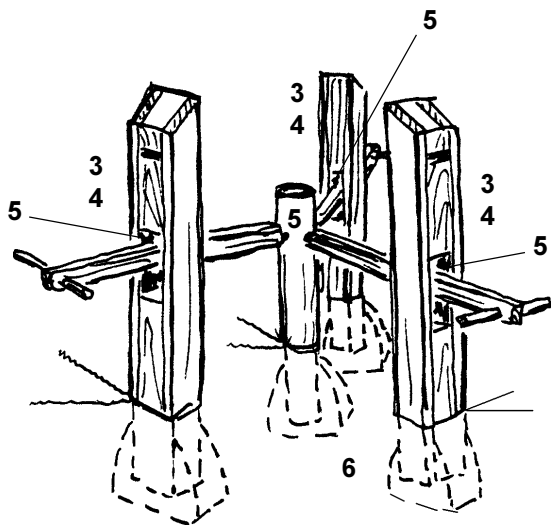
Checks depend on kind of equipment. Any equipment with moving parts must be checked at least twice a year, static equipment at least once a year.

Intervals for maintenance work and checks generally depend on:

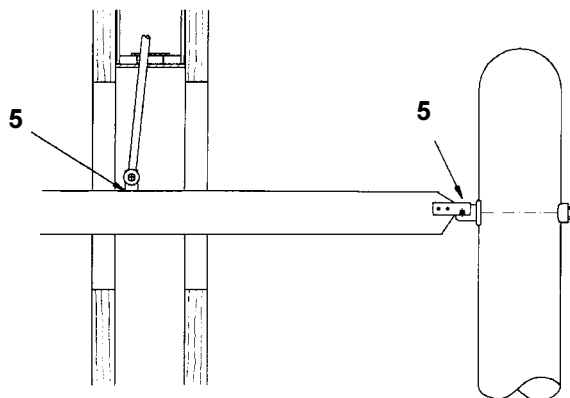
- location
- kind of use
- frequency of use
- possible vandalism

**For more details see also "General instructions for maintenance of playgrounds"**

**Wind pump**  
Order no. 9.02500



**Detail**



**The equipment must be checked for correct operation and safety, especially the points listed below:**

Proof of maintenance

1. 2. 3.

**Wooden parts**

**1** Check for dry rot and smooth out splinters

**2** Check all screw connections for firmness and tighten if necessary

**Sound elements**

**3** Check both the pistons and connecting rods for smooth motion, renew if necessary (remove the side part with the Richter-badge)

**4** Check the tune, if mis-tuned clean the pipes and the pistons (see point 3)

**Pump swipes**

**5** Check the joints at the pistons and at the centre column for firmness, tighten if necessary (see detail)

**Structural stability**

**6** Dig out the foundations once a year and check for stability

Special notes (e. g. for repairs): .....

Special notes (e. g. for repairs): .....

Special notes (e. g. for repairs): .....

**Repair not carried out, it is still possible to play on the equipment**

**Repair not carried out, equipment is taken out of action**

**All work carried out, everthing is in order**

**Maintenance carried out by** .....

**Date** .....