

# Instructions for wear checks of play equipment

**Playground:** .....

**Date of assembly:** .....

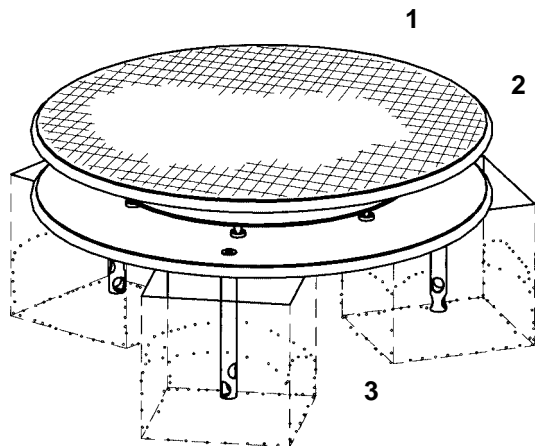
Checks depend on kind of equipment. Any equipment with moving parts must be checked at least twice a year, static equipment at least once a year.

Intervals for maintenance work and checks generally depend on:

- location
- kind of use
- frequency of use
- possible vandalism

**For more details see also "General instructions for maintenance of playgrounds"**

**Sea Waves**  
Order no. 9.02650



**The equipment must be checked for correct operation and safety, especially the points listed below:**

Proof of maintenance

**Function**

**1** Check the acoustics - the steel balls must roll around on top of the membrane

<input type="checkbox"/>	<input type="checkbox"/>	<input type="checkbox"/>
--------------------------	--------------------------	--------------------------

**2** Rocking mechanism: Check the rubber buffers for wear

<input type="checkbox"/>	<input type="checkbox"/>	<input type="checkbox"/>
--------------------------	--------------------------	--------------------------

**Structural stability**

**3** Check the bolt connections of the steel feet for firmness

<input type="checkbox"/>	<input type="checkbox"/>	<input type="checkbox"/>
--------------------------	--------------------------	--------------------------

Special notes (e. g. for repairs): .....  
Special notes (e. g. for repairs): .....  
Special notes (e. g. for repairs): .....

Repair not carried out, it is still possible to play on the equipment

<input type="checkbox"/>	<input type="checkbox"/>	<input type="checkbox"/>
--------------------------	--------------------------	--------------------------

Repair not carried out, equipment is taken out of action

<input type="checkbox"/>	<input type="checkbox"/>	<input type="checkbox"/>
--------------------------	--------------------------	--------------------------

All work carried out, everthing is in order

<input type="checkbox"/>	<input type="checkbox"/>	<input type="checkbox"/>
--------------------------	--------------------------	--------------------------

Maintenance carried out by .....

Date .....