

Instructions for wear checks of play equipment

Playground:

Date of installation:

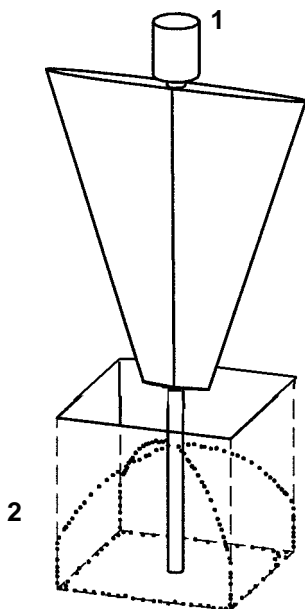
Checks depend on the kind of equipment. Any equipment with moving parts must be checked at least twice a year, static equipment at least once a year.

Intervals for maintenance work and checks generally depend on:

- location
- kind of use
- frequency of use
- possible vandalism

For more details see also "General instructions for maintenance of playgrounds"

Street Musicians
Order no. 9.10010



The equipment must be checked for correct operation and safety, especially the points listed below:

Proof of maintenance

1. 2. 3.

Function

1 Check the sound elements for both function and smooth motion, if necessary remove the coloured cylinder and check the mechanism inside

Structural stability

2 Check the bolt connections to the bushing in the ground for firmness; if the shaft in the bush shows excessive play remove the equipment from the flange and check the brass bushes for damage, renew if necessary

Special notes (e. g. for repairs):

Special notes (e. g. for repairs):

Special notes (e. g. for repairs):

Repair not carried out, it is still possible to play on the equipment

Repair not carried out, equipment is taken out of action

All work carried out, everything is in order

Maintenance carried out by

Date