



**Play value**

The seat and standing surface is composed of tyres and offers up to ten children seating and a secure hold. The hanging element is additionally mounted in bearings attached to an intermediate plate. This enables even small children to swing using their own body weight and it is also possible to rock and swing in circular fashion. The appealing diversity of movement requires skill and coordination of weight and counter weight. Children, adolescents and adults can gradually learn how to use the full range of the equipment's movement.



**See-Saw-Carousel-Swing**

**Fundamental characteristics**

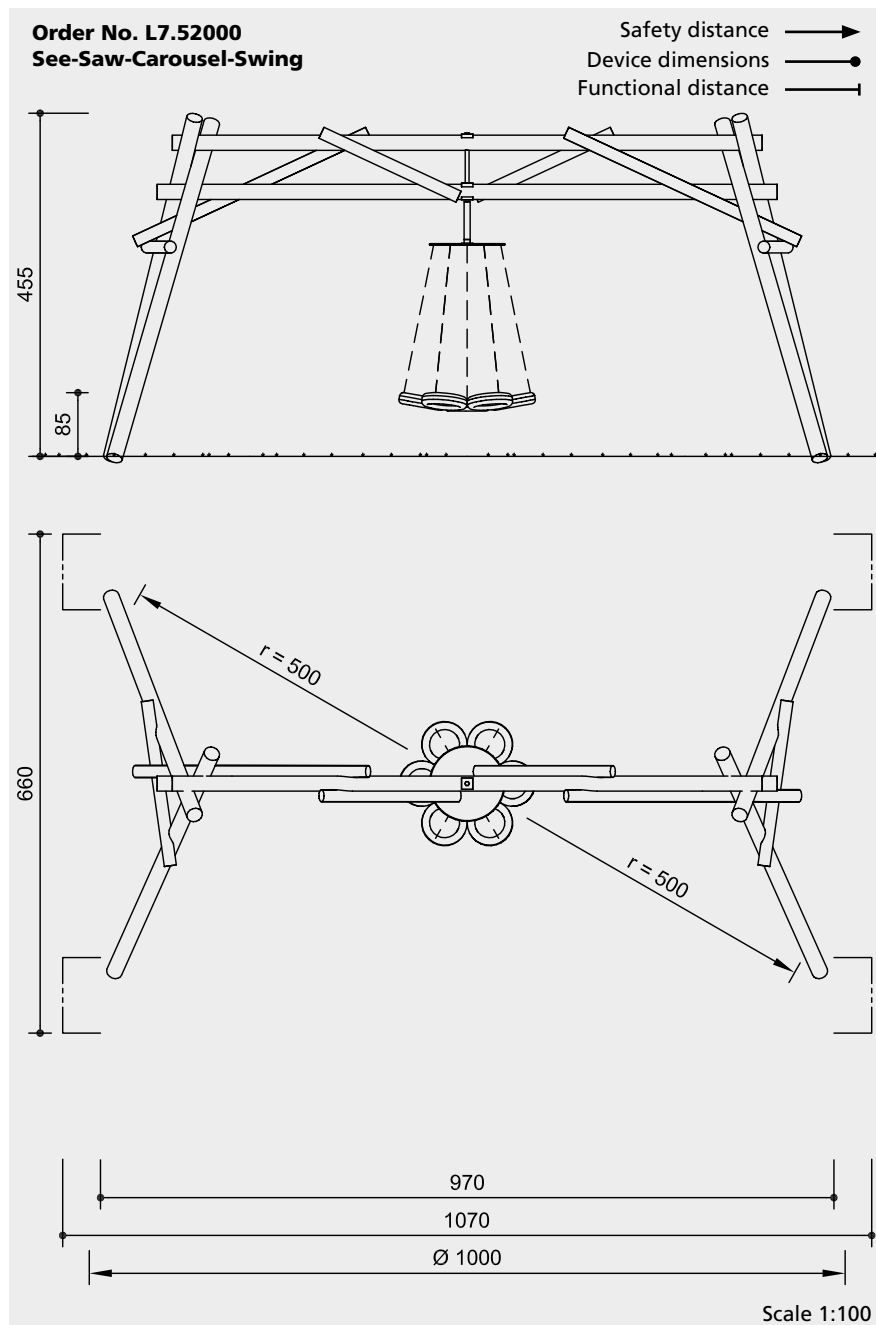
- Unique and original
- The huge construction enables coordinated play of a group of people at the same time
- Diverse play experiences
- Incentive for playing: huge carrying construction
- Movement: swinging, swaying, circling, rocking (around), body coordination

**Recommended for**

- School children
- Young people
- Supervised play areas, such as schools or similar
- Public play areas without supervision, such as playgrounds, parks or similar



**L7.52000**



Safety check according to DIN EN 1176

### Components

- 1 Swing frame with steel feet and framework beams
- 1 Swing attachment consisting of:
  - 1 Swing platform with 7 connected tyres
  - 1 Steel plate with screwed-on, double universal joint with safety cable and 7 chains fixed on universal joints

### Installation information

Surfacing requirements corresponding to a fall height of ≤ 2.00 m (please refer to price list for more detailed information)

Foundations  
4 items 100 x 100 x 80 cm  
Excavation depth 100 cm

**Attention:**  
**Exact measurements may vary;**  
**for all installation dimensions refer to current assembly instructions.**  
Technical changes reserved.

### Technical information

Equipment made of non-impregnated mountain larch

#### Peeled white

Palisades peeled white means that bark, cambium and sapwood are removed, the natural shape of the trunk is preserved and can be experienced



#### Profiled washer

Profiled washer for covering protruding screw heads according to standard, improved pressure distribution and protection against water. Impedes loosening the bolt



#### Adjustable

Adjustable two-piece bolt connection, easy to maintain, no projecting threads



#### Interlocking

Interlocking connection, with milled metal rings or serrated disc dowels, to reinforce the bolt connection under high loads transverse to the grain direction of the wood



#### Sintered bush

For all reciprocating movements we use sintered plain bearings which are self-lubricating in use and can easily be exchanged if necessary



#### Ground anchor

All parts used for anchoring to the ground are made of hot-dip galvanised steel or stainless steel



#### Chains

Chains made of hot-dip galvanized steel (1.4301 / 1.4571 at extra charge) welded before galvanising, short-linked, without eyelets on the connecting parts, easy to exchange and shorten



**For more detailed explanation of the quality characteristics see price list.**

#### Swing suspension

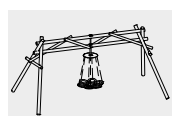
Hot-dip galvanised steel plate with welded swing joints on the underside; Chain suspension with rotating universal joint

Two inter-rotating universal joints with 90° range, 2 roller bearings for rotational movement, painted; additionally secured with 2 galvanised steel cables

#### Dimensions

(small deviations possible)

Height	4.55 m
Length	9.70 m
Width	5.15 m
Weight	1500 kg



L7.52000