

Instructions for wear checks of play equipment

The equipment must be checked for correct operation and safety, especially the points listed below:

Proof of maintenance

Playground.....

Date of installation

Checks depend on the type of equipment. Any equipment with moving parts must be checked at least twice a year, static equipment at least once a year.

Intervals for maintenance work and checks generally depend on:

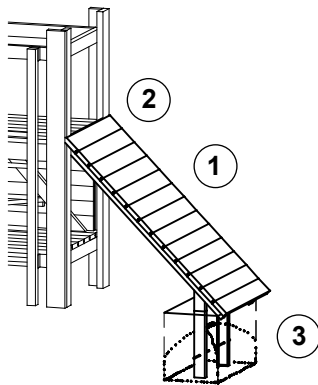
- location
- usage
- frequency of use
- possible vandalism

For more details see also "General instructions for maintenance of playgrounds".

Inclined Walls

for Huts

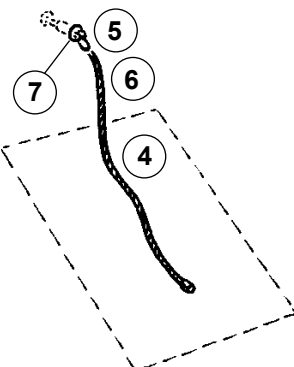
Order No. 3.67531/3.67536



Holding Rope

for Inclined Wall

Order No. 3.69440/3.69470



Wooden parts

1. Check for rot and, if necessary, smooth out splinters and round off sharp edges of cracks.
2. Check that all bolts and screws are tight and retighten if necessary.

Structural stability

3. In order to check for corrosion, uncover the foundation once a year.

Holding rope (if applicable)

4. Check for wear and tear. Replace if steel reinforcement is damaged.
5. Make sure that the joints move smoothly.
6. Also make sure that the swivel moves smoothly, and apply grease if required.
7. Check connection to wood, tie joint must fit closely.

Special notes, e.g. for repairs

Repair not carried out,
It is still possible to play on equipment

Repair not carried out,
Equipment is taken out of action

All work carried out,
everything is in order

Maintenance carried out by:

..... Date